

RGB Wet Location LED Flexible Linear System:

RGB LINEARFLEX is a premium member of the LINEARFLEX family. Fully encapsulated within a commercial grade silicone housing that is tough and extremely durable for the most robust and harsh installations. RGB LINEARFLEX uses 3 in 1 RGB LEDs and is compatible with DMX 512 allowing it to produce 16.7 million color variations. Field cuttable and supplied with easy to connect modular accessories RGB LINEARFLEX is a perfect choice for your wet location installations. See MODA Metal[®] for extrusion options.



OUTPUT

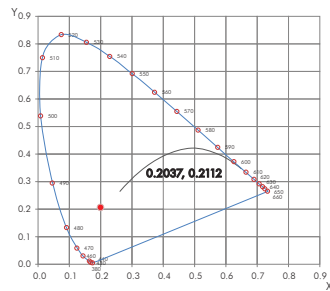
Delivered Lumens	28.43 lm / ft
CCT & SDMC	3000K - Full RGB
Chromaticity Coordinates	x: 0.2037 y: 0.2112 u: 0.1589 v: 0.3707
Color Bin Tolerance	N/A
Efficacy (lm/w)	16.06
CRI	N/A
Lumen Maintenance	70,000 Hours L70 @ 25°C
	90,000 Hours L50 @ 25°C
	50,000 Hours L70 @ 50°C
	70,000 Hours L50 @ 50°C
Testing Data	Light Data LM-79-08 & LM-80-08

ELECTRICAL

Input Voltage	24v DC
Power Consumption	1.77w per ft (0.12A)*
Power Factor	≤ 1
Dimming	DMX 512: 1990
Emergency	N/A

*Varies based on run and driver

CIE 1931 CHROMATICITY DIAGRAM



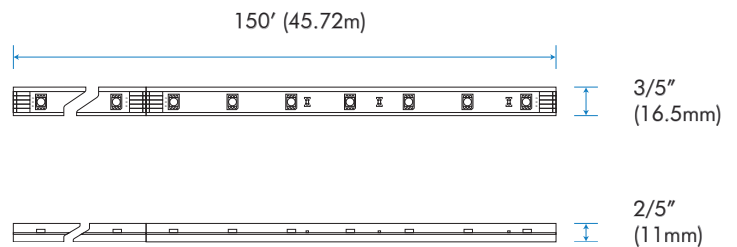
LUMINANCE DATA (cd/sq.m)

Angle in Degrees	Average 0-Deg	Average 45-Deg	Average 90-Deg
45	5213	5317	5372
55	5417	5517	5525
65	5490	5638	5605
75	4803	5008	4981
85	2885	2805	2250

PHYSICAL

Applications	Wet Locations, Cabinet, Cove, Display, Niches, Perimeter Lighting
Dimensions	Length 98' 5 1/10" (30m) Width 3/5" (16.5mm) Height 2/5" (11mm)
LED Spacing	1 1/5" (30mm)
Beam Distribution	110°
Cutting Distance	9 4/5" (250mm)
Weight	12.6 lbs (5.72kg) Per Reel
Construction	Tough Polyepoxide UV Protected Body
Thermal Management	N/A
Optics	N/A
Fixture Connections	Push To Fit Connectors
Operating Temperature	-4°F ~ 113°F (-20°C ~ 45°C)
Storage Temperature	-4°F ~ 122°F (-20°C ~ 50°C)
Humidity	0-95% Non Condensing

DIMENSIONS



MODA TECHNOLOGY

modaBIN™

STANDARDS & CERTIFICATIONS



LM 79

LM 80

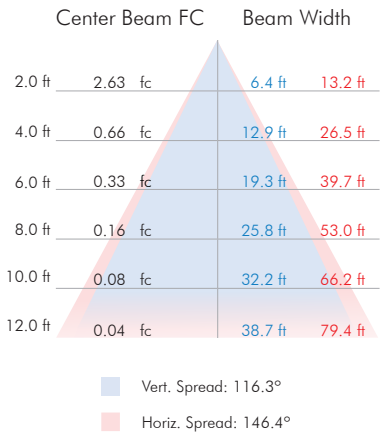
5 YEAR WARRANTY

Meets ASHRAE standards

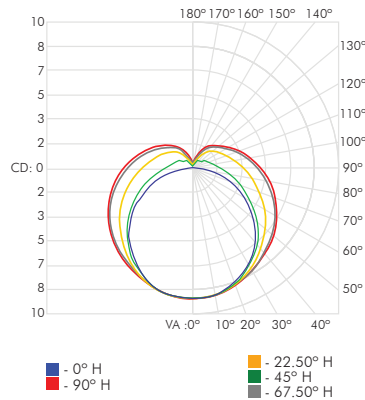
Project Name:

Notes:

ILLUMINANCE AT A DISTANCE



POLAR CANDELA DISTRIBUTION



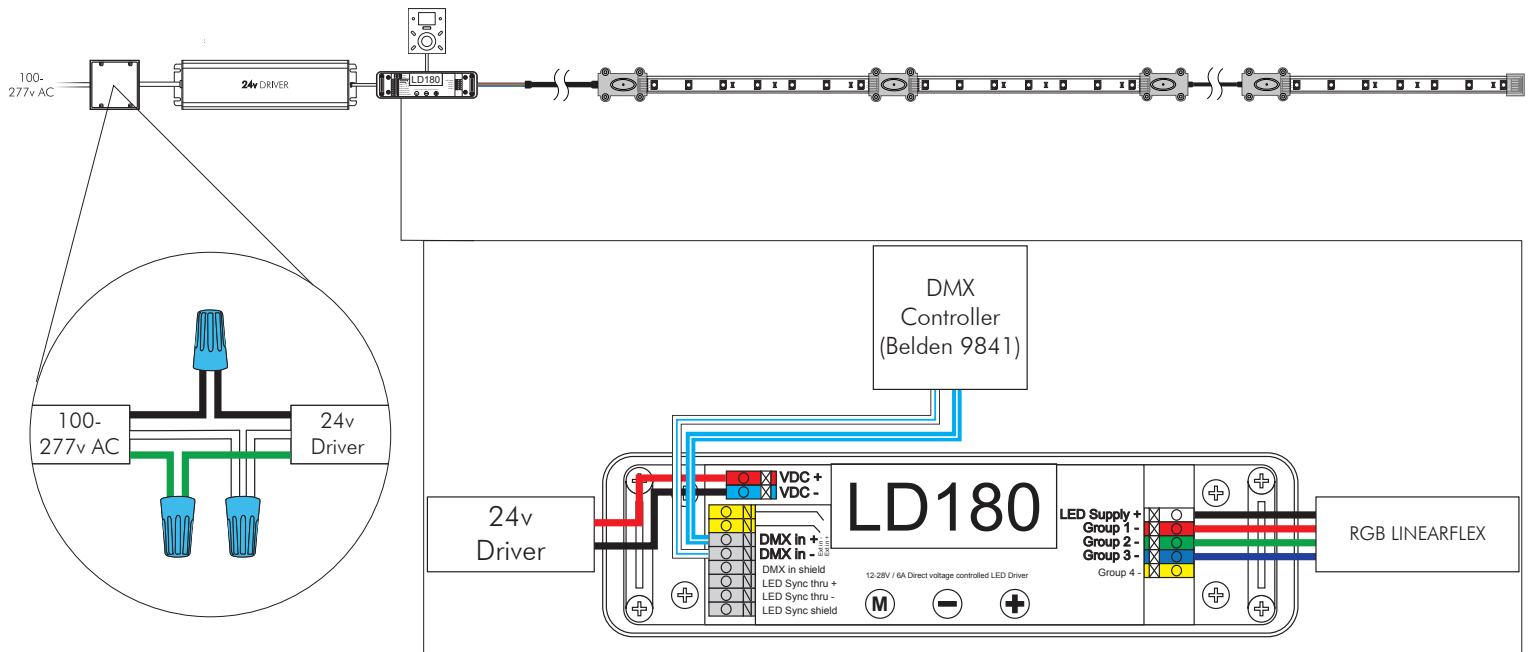
ZONAL LUMEN SUMMARY

Zone	Lumens	% Lamp	% Fixt
0-30	6.14	N.A.	21.60%
0-40	10.29	N.A.	36.20%
0-60	19.50	N.A.	68.60%
60-90	8.93	N.A.	31.40%
0-90	28.43	N.A.	100.00%
90-180	0.00	N.A.	0.00%
0-180	28.43	N.A.	100.00%

LUMENS PER ZONE

Zone	Lumens	% Lamp	% Fixt
0-10	0.74	N.A.	2.60%
10-20	2.13	N.A.	7.50%
20-30	3.30	N.A.	11.60%
30-40	4.15	N.A.	14.60%
40-50	4.55	N.A.	16.00%
50-60	4.66	N.A.	16.40%
60-70	4.52	N.A.	15.90%
70-80	3.07	N.A.	10.80%
80-90	1.34	N.A.	4.70%
90-100	0.00	N.A.	0.00%

WIRING



WIRING LEGEND

Power (100-277v AC)	24v Driver	DMX CONTROLLER	Leader Cable
Power Positive	Power Positive	Positive	24v Positive
Power Negative	Power Negative	Negative	Red
Ground			Green
			Blue

MAX RUN

150w Driver 30 ft

Due to continuous improvements and innovations, specifications may change without notice. Please refer to our website for current technical data. These figures are provided as a guideline only and may vary with differing power supplies and installations. All rights reserved. E&OE.

ACCESSORIES



MRTA52
10' Leader Cable

Connects RGB LINEARFLEX to Power Supply

L: 1 7/10" (43mm)
W: 1 3/10" (33mm)
H: 7/10" (18mm)



MRTA53
1' Jumper Cable

Connects Two RGB LINEARFLEX and Allows for Flexible Corner Bends

L: 1 7/10" (43mm)
W: 1 3/10" (33mm)
H: 7/10" (18mm)



MRTA-54
In-Line Connector

Connects Two RGB LINEARFLEX together

L: 1 7/10" (43mm)
W: 1 3/10" (33mm)
H: 7/10" (18mm)



MRTA13
Mounting Clip

Screws into surface to hold RGB LINEARFLEX

L: 1 1/10" (28mm)
W: 4/10" (12mm)
H: 3/10" (10mm)



MRTA11
End Cap

Terminates RGB LINEARFLEX to protect FPCB from dust or water

L: 3/5" (15mm)
W: 11/16" (17mm)
H: 2/5" (11mm)



MRTA62
3oz Silicone Sealant

Applied between RGB LINEARFLEX, connectors or end caps to seal from exposure to moisture



MRTA62-XL
1/10 Gal Silicone Sealant

Applied between RGB LINEARFLEX, connectors or end caps to seal from exposure to moisture



MP17
100 - 277v AC

150w - IP67

L: 8 7/10" (222mm)
W: 2 7/10" (68mm)
H: 1 1/2" (39mm)



Kandi-Touch-Black / Kandi-Touch-White

DMX 512 Controller

L: 4 1/5" (106mm)
W: 5 7/10" (146mm)
H: 2/5" (11mm)



LD180
DMX Interface

Constant Voltage LED Driver

L: 6" (152mm)
W: 2" (50mm)
H: 9/10" (23mm)



BDL-9841-500FT

RS-458 Cable for DMX
24 AWG stranded TC conductors
polyethylene insulation

L: 500' (152.4m)



BDL-9841-1000FT

RS-458 Cable for DMX
24 AWG stranded TC conductors
polyethylene insulation

L: 1000' (304.8m)

STANDARDS & CERTIFICATIONS

Certification	Tested to UL & CSA by ETL For Use in USA & CANADA, Complies with California Title 24 Requirements, Lighting Facts. Exceeds ANSI C78.377A, CE & RoHS Compliant.
Class	3
Environment	Wet Location - IP68
Warranty	5 Year Limited Warranty

ORDERING

RGB-LNF