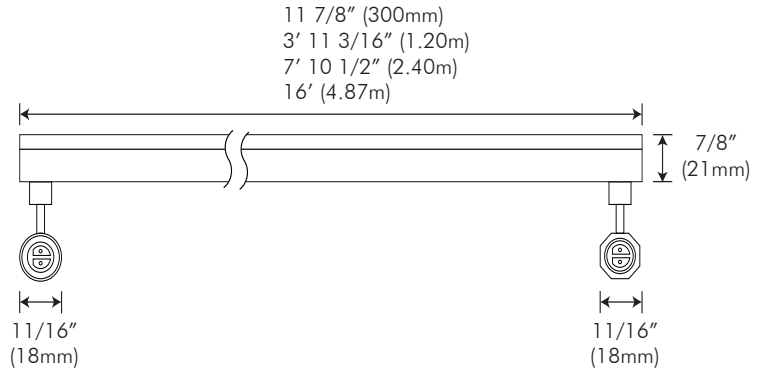
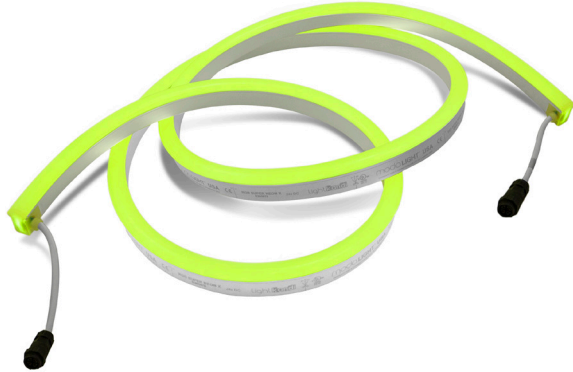


Create Unlimited Runs of Continuous Solid Lines of Light

A complete lighting solution that offers a 180 degree viewing angle which easily bends along its line of light (opposite bend to RGB Super Neon Edge). Ultra flexible, bends easily, free from any form of shape memory. Create endless contours, forms, lines, curves and shapes of powerful solid light. Transparent ends allow for unlimited run lengths, combined with integral "No Tool" connectors and simple leader/jumper cables. UV protected, IP67 Wet Location Rated.



Cutting increments every 3 15/16" (100mm). See Custom Lengths Chart on Page 8 for all available customised lengths.

PHYSICAL

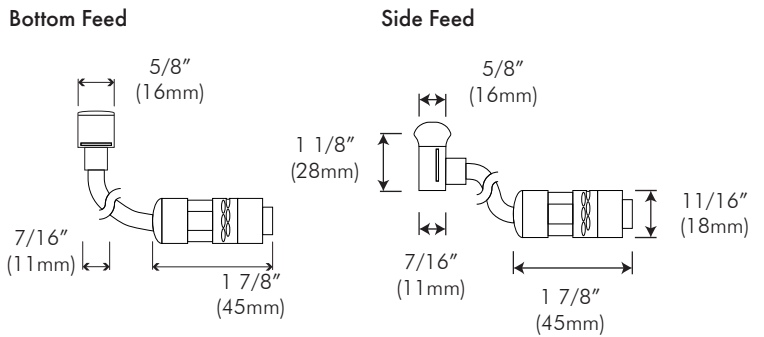
Dimensions	L: 11 7/8" (300mm)	W: 7/8in
	3' 11 3/16" (1.20m)	
Weight	4.8oz (136g) (1ft)	H: 5/8in
	19.2oz (544g) (4ft)	
	38.4oz (1,089g) (8ft)	
Applications	72oz (2,041) (16ft)	
	Accent Linear / Curved Surfaces, Architectural Lighting	
Construction	UV Resistant Tough White Flexible PVC	
Thermal Management	Cool to Touch, Free Air Convection	
Optics	N/A	
Fixture Connections	Male and Female Barrel Connectors	
Operating Temperature	-4°F ~ 113°F (-20°C ~ 45°C)	
Storage Temperature	-4°F ~ 140°F (-20°C ~ 60°C)	
Humidity	0-95% Non Condensing	

ELECTRICAL

Input Voltage	24V DC
Control	Dependent upon driver
Power Consumption	3.51W (0.02A) (1ft)
	14.04W (0.11A) (4ft)
	28.08W (0.24A) (8ft)
	52.60W (0.43A) (16ft)
Power Factor	<1
Control	DMX 512 Controlled

* Varies based on length of run and driver

CONNECTOR DIMENSIONS



STANDARDS & CERTIFICATIONS



Certification	Tested to UL & CSA by ETL For Use in USA & CANADA, Complies with California Title 24 Requirements, Lighting Facts. Exceeds ANSI C78.377A, CE & RoHS Compliant. Meets ASHRAE Standards
Class	3
Environment	Wet Location - IP67
Warranty	3 Year Limited Warranty

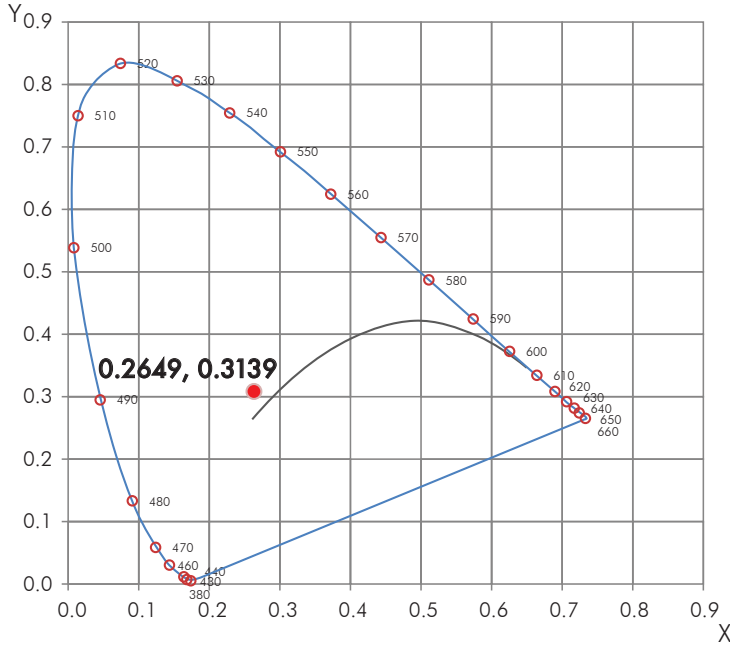
PHOTOMETRICS

Rf

Rg

CQS

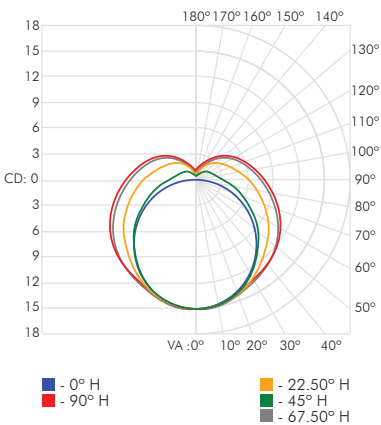
CIE 1931 CHROMATICITY DIAGRAM



LUMINANCE DATA
(cd/sq.m)

Angle in Degrees	Average 0-Deg	Average 45-Deg	Average 90-Deg
45	1801	1347	1318
55	1722	1299	1293
65	1620	1267	1293
75	1506	1282	1292
85	1550	1338	1343

POLAR CANDELA DISTRIBUTION



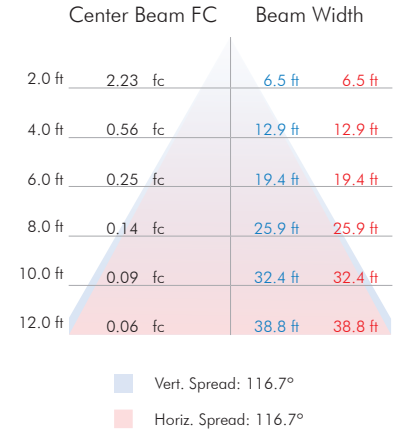
ZONAL LUMEN SUMMARY

Zone	Lumens	% Lamp	% Fixt
0-30	6.86	N.A.	14.30%
0-40	11.52	N.A.	24.00%
0-60	22.13	N.A.	46.10%
60-90	9.79	N.A.	20.40%
0-90	35.91	N.A.	74.80%
90-180	12.10	N.A.	25.20%
0-180	48.02	N.A.	100.00%

LUMENS PER ZONE

Zone	Lumens	% Lamp	% Fixt
0-10	0.82	N.A.	1.71%
10-20	2.38	N.A.	4.96%
20-30	3.68	N.A.	7.68%
30-40	4.63	N.A.	9.66%
40-50	5.21	N.A.	10.85%
50-60	5.37	N.A.	11.20%
60-70	5.16	N.A.	10.75%
70-80	4.64	N.A.	9.68%
80-90	3.98	N.A.	8.29%
90-100	3.29	N.A.	6.87%

ILLUMINANCE AT A DISTANCE



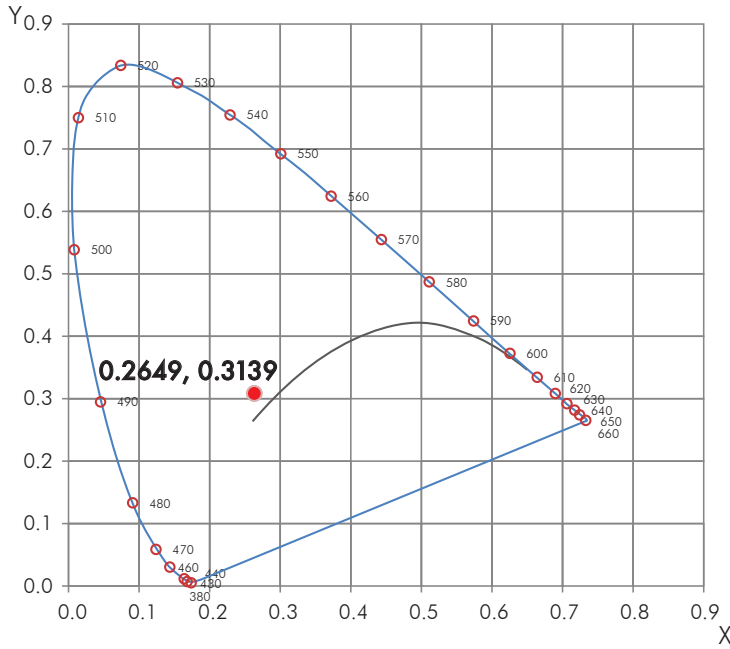
PHOTOMETRICS

Rf

Rg

CQS

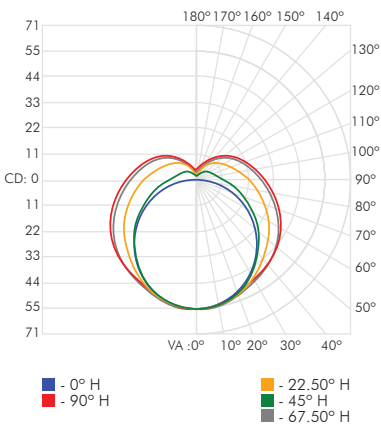
CIE 1931 CHROMATICITY DIAGRAM



LUMINANCE DATA
(cd/sq.m)

Angle in Degrees	Average 0-Deg	Average 45-Deg	Average 90-Deg
45	1801	1347	1318
55	1722	1299	1293
65	1620	1267	1293
75	1506	1282	1292
85	1550	1338	1343

POLAR CANDELA DISTRIBUTION



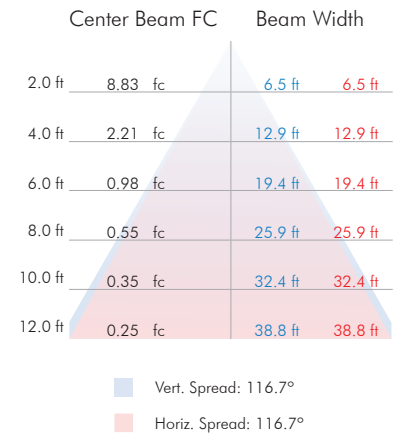
ZONAL LUMEN SUMMARY

Zone	Lumens	% Lamp	% Fixt
0-30	27.18	N.A.	14.30%
0-40	45.61	N.A.	24.00%
0-60	87.62	N.A.	46.10%
60-90	38.77	N.A.	20.40%
0-90	142.17	N.A.	74.80%
90-180	47.90	N.A.	25.20%
0-180	190.08	N.A.	100.00%

LUMENS PER ZONE

Zone	Lumens	% Lamp	% Fixt
0-10	3.25	N.A.	1.71%
10-20	9.42	N.A.	4.96%
20-30	14.59	N.A.	7.68%
30-40	18.36	N.A.	9.66%
40-50	20.62	N.A.	10.85%
50-60	21.28	N.A.	11.20%
60-70	20.43	N.A.	10.75%
70-80	18.39	N.A.	9.68%
80-90	15.75	N.A.	8.29%
90-100	13.05	N.A.	6.87%

ILLUMINANCE AT A DISTANCE



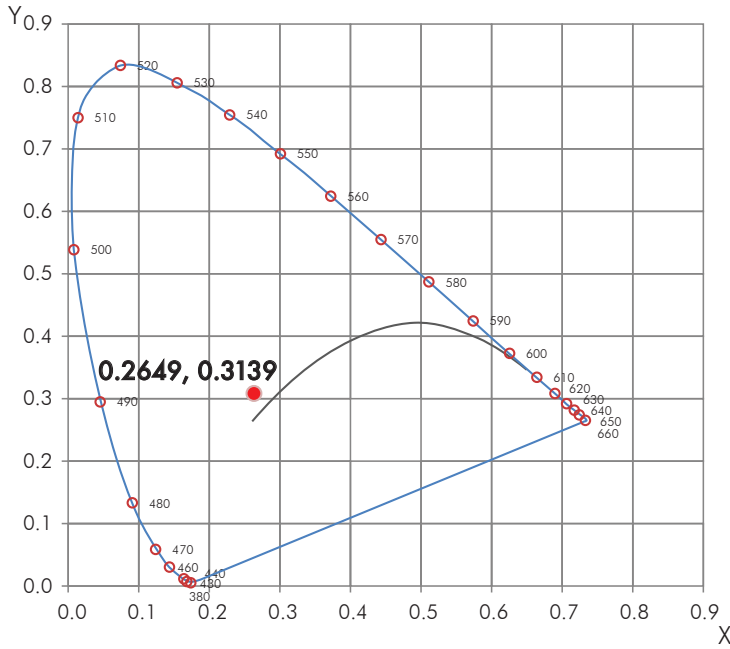
PHOTOMETRICS

Rf

Rg

CQS

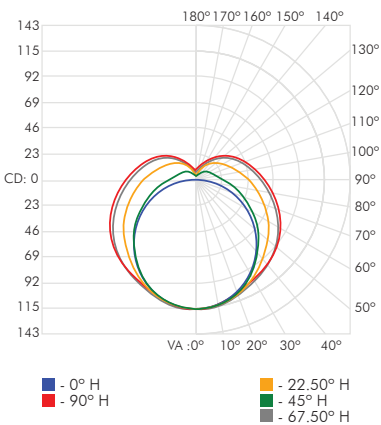
CIE 1931 CHROMATICITY DIAGRAM



LUMINANCE DATA
(cd/sq.m)

Angle in Degrees	Average 0-Deg	Average 45-Deg	Average 90-Deg
45	1801	1347	1318
55	1722	1299	1293
65	1620	1267	1293
75	1506	1282	1292
85	1550	1338	1343

POLAR CANDELA DISTRIBUTION



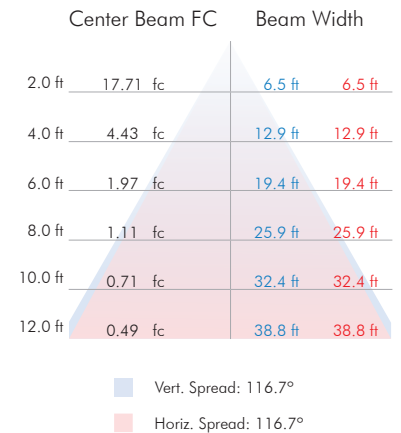
ZONAL LUMEN SUMMARY

Zone	Lumens	% Lamp	% Fixt
0-30	54.50	N.A.	14.30%
0-40	91.47	N.A.	24.00%
0-60	175.71	N.A.	46.10%
60-90	77.75	N.A.	20.40%
0-90	285.10	N.A.	74.80%
90-180	96.05	N.A.	25.20%
0-180	381.16	N.A.	100.00%

LUMENS PER ZONE

Zone	Lumens	% Lamp	% Fixt
0-10	6.51	N.A.	1.71%
10-20	18.90	N.A.	4.96%
20-30	29.27	N.A.	7.68%
30-40	36.82	N.A.	9.66%
40-50	41.35	N.A.	10.85%
50-60	42.68	N.A.	11.20%
60-70	40.97	N.A.	10.75%
70-80	36.89	N.A.	9.68%
80-90	31.59	N.A.	8.29%
90-100	26.18	N.A.	6.87%

ILLUMINANCE AT A DISTANCE



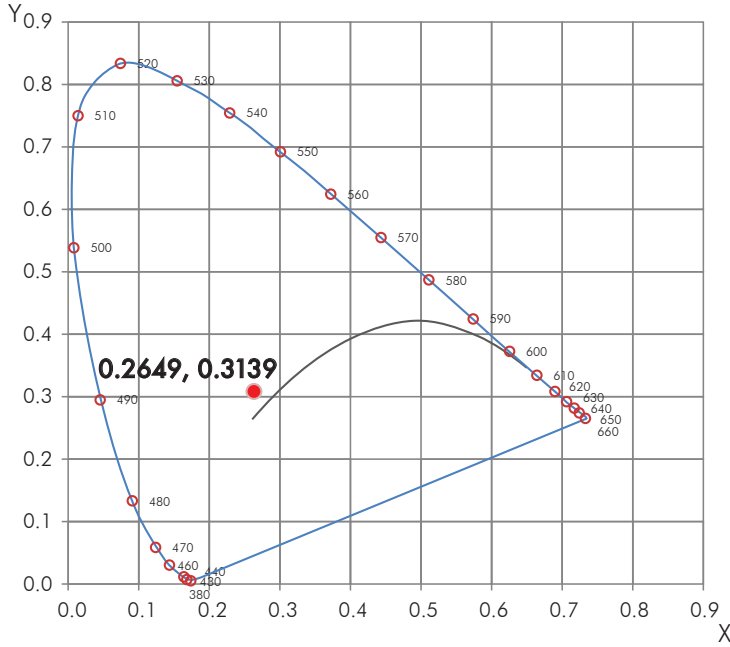
PHOTOMETRICS

Rf

Rg

CQS

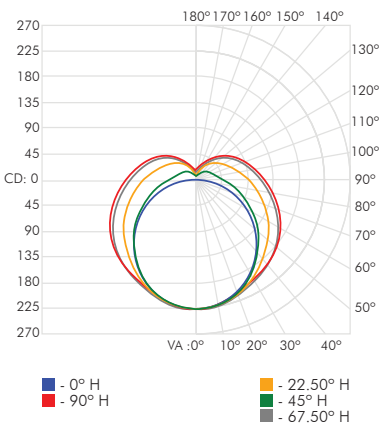
CIE 1931 CHROMATICITY DIAGRAM



LUMINANCE DATA
(cd/sq.m)

Angle in Degrees	Average 0-Deg	Average 45-Deg	Average 90-Deg
45	1801	1347	1318
55	1722	1299	1293
65	1620	1267	1293
75	1506	1282	1292
85	1550	1338	1343

POLAR CANDELA DISTRIBUTION



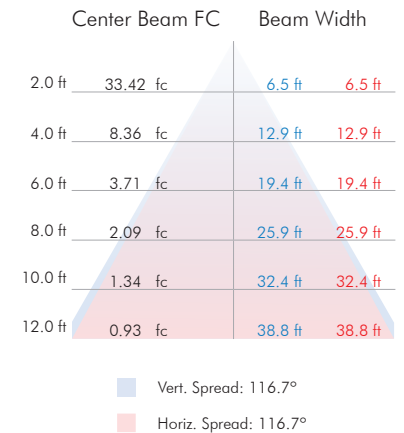
ZONAL LUMEN SUMMARY

Zone	Lumens	% Lamp	% Fixt
0-30	102.86	N.A.	14.30%
0-40	172.63	N.A.	24.00%
0-60	331.60	N.A.	46.10%
60-90	146.74	N.A.	20.40%
0-90	538.04	N.A.	74.80%
90-180	181.26	N.A.	25.20%
0-180	719.30	N.A.	100.00%

LUMENS PER ZONE

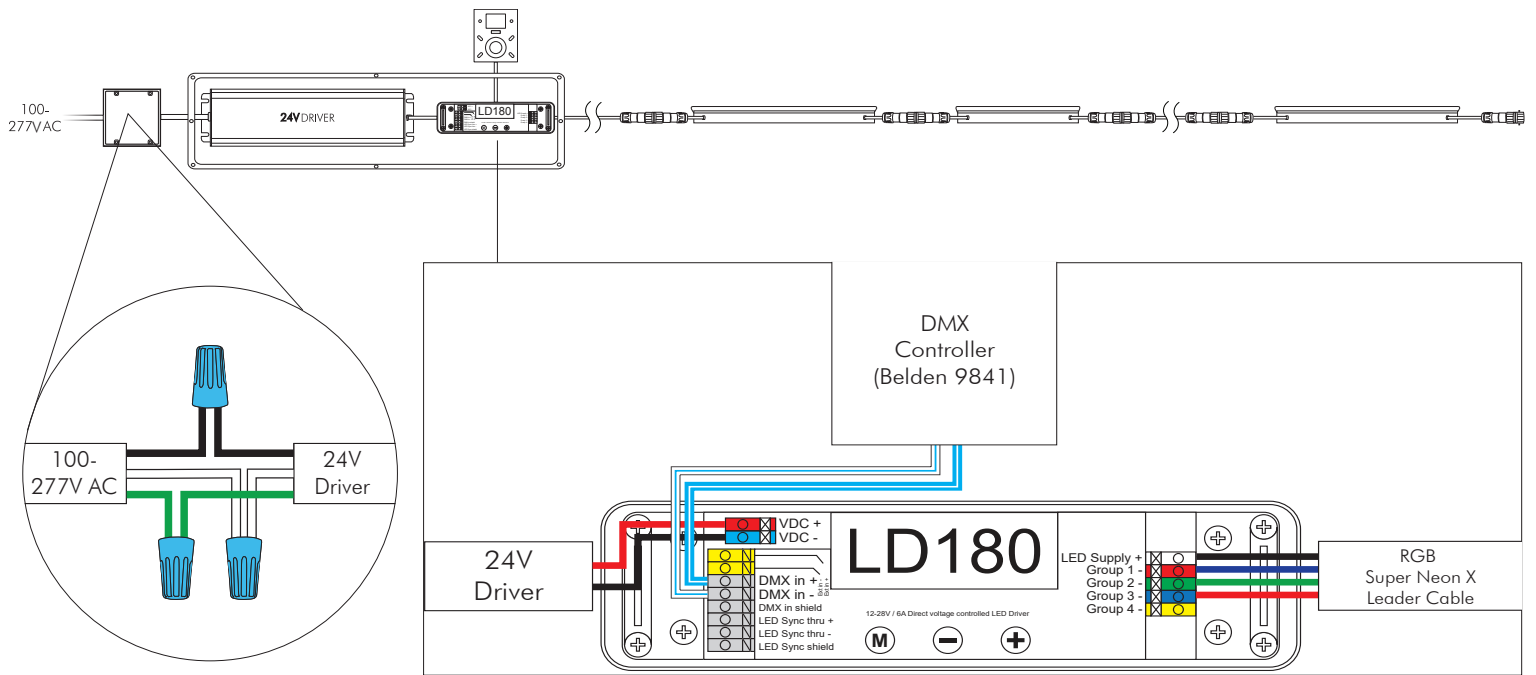
Zone	Lumens	% Lamp	% Fixt
0-10	12.30	N.A.	1.71%
10-20	35.68	N.A.	4.96%
20-30	55.24	N.A.	7.68%
30-40	69.48	N.A.	9.66%
40-50	78.04	N.A.	10.85%
50-60	80.56	N.A.	11.20%
60-70	77.32	N.A.	10.75%
70-80	69.63	N.A.	9.68%
80-90	59.63	N.A.	8.29%
90-100	49.42	N.A.	6.87%

ILLUMINANCE AT A DISTANCE



WIRING

Single Run DMX Wiring



WIRING LEGEND

Power (100-277V AC)	
	Power Positive
	Power Negative
	Ground

24V Driver	
	Power Positive
	Power Negative

DMX CONTROLLER	
	Positive
	Negative

RGB Leader Cable	
	24V Positive
	Red
	Green
	Blue

MAX CONTINUOUS RUN

150W Driver	16ft
-------------	------

modaLIGHT[®]

SPECIFICATION

FIXTURE	SKU
Super Neon X Dome Bottom Feed RGB 1ft	RGB-SNX-D-BF-1FT
Super Neon X Dome Side Feed RGB 1ft	RGB-SNX-D-SF-1FT
Super Neon X Dome Bottom Feed RGB 4ft	RGB-SNX-D-BF-4FT
Super Neon X Dome Side Feed RGB 4ft	RGB-SNX-D-SF-4FT
Super Neon X Dome Bottom Feed RGB 8ft	RGB-SNX-D-BF-8FT
Super Neon X Dome Side Feed RGB 8ft	RGB-SNX-D-SF-8FT
Super Neon X Dome Bottom Feed RGB 16ft	RGB-SNX-D-BF-16FT
Super Neon X Dome Side Feed RGB 16ft	RGB-SNX-D-SF-16FT

POWER	SKU
24V DC Driver - 100-277V AC Input - Non-Dimmable - 150W - IP67	MP17

ACCESSORIES	SKU
Super Neon 5ft Leader Cable	RGB-SN-LDR-CBL-5FT
Super Neon Jumper Cable 1ft	RGB-SN-JMP-CBL-1FT
Super Neon Terminator (10 Pack)	RGB-SN-T
Super Neon X Clip 1 3/8in	SNX-CLP-S2
Super Neon X Xtrusion 1ft (0.3m)	SNX-XTR-1FT
Super Neon X Xtrusion 3ft 1 1/8in (1.17m)	SNX-XTR-4FT
3M Super Silicone Sealant 3 oz	MRTA62
3M Super Silicone Sealant 1/10 Gal	MRTA62-XL

CONTROLS	DESCRIPTION	ORDERING NUMBER	PART NUMBER
Kandi-Touch-Black	2 Universe DMX Wall Controller	KND-TCH-B	250-0040
Kandi-Touch-White	2 Universe DMX Wall Controller	KND-TCH-W	250-0041
Linear Drive 180	180W 4 Channel Constant Voltage DMX Interface	LD180	N/A
Shielded Cable 500ft	RS-458 Cable for DMX, 24 AWG stranded TC conductors, polyethylene insulation	BDL-9841-500FT	250-0251
Shielded Cable 1000ft	RS-458 Cable for DMX, 24 AWG stranded TC conductors, polyethylene insulation	BDL-9841-1000FT	250-0252

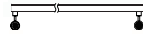
modaLIGHT[®]

SPECIFICATION

WHITE / STATIC COLORS - BLUE; GREEN; YELLOW / RGB

CUSTOM FIXTURES

NOTE: OVERALL MAXIMUM RUN 16FT



Feet & Inches	MM	CODE	Feet & Inches	MM	CODE
3 15/16"	100	C001	13' 5 3/8"	4100	C038
7 7/8"	200	C002	13' 9 5/16"	4200	C039
11 13/16"	300	Standard	14' 1 1/4"	4300	C040
1' 3 3/4"	400	C003	14' 5 3/16"	4400	C041
1' 7 5/8"	500	C004	14' 9 1/8"	4500	C042
1' 11 9/16"	600	C005	15' 1 1/16"	4600	C043
2' 3 1/2"	700	C006	15' 5"	4700	C044
2' 7 1/2"	800	C007	15' 8 15/16"	4800	C045
2' 11 7/16"	900	C008	16' 7/8"	4900	Standard
3' 3 1/16"	1000	C009			
3' 7 3/8"	1100	C010			
3' 11 1/4"	1200	Standard			
4' 3 1/8"	1300	C011			
4' 7 1/16"	1400	C012			
4' 11"	1500	C013			
5' 3"	1600	C014			
5' 6 15/16"	1700	C015			
5' 10 7/8"	1800	C016			
6' 2 13/16"	1900	C017			
6' 6 3/4"	2000	C018			
6' 10 11/16"	2100	C019			
7' 2 5/8"	2200	C020			
7' 6 9/16"	2300	C021			
7' 10 1/2"	2400	Standard			
8' 2 7/16"	2500	C022			
8' 6 3/8"	2600	C023			
8' 10 5/16"	2700	C024			
9' 2 1/4"	2800	C025			
9' 6 3/16"	2900	C026			
9' 10 1/8"	3000	C027			
10' 2"	3100	C028			
10' 5 15/16"	3200	C029			
10' 9 7/8"	3300	C030			
11' 1 13/16"	3400	C031			
11' 5 3/4"	3500	C032			
11' 9 3/4"	3600	C033			
12' 1 11/16"	3700	C034			
12' 5 5/8"	3800	C035			
12' 9 9/16"	3900	C036			
13' 1 1/2"	4000	C037			