

Dynamic White Flexible Linear Product

Starflex Dynamic White offers two circuit mixing ability with the choice of a warm white light and cool white light, allowing for easy tuning of white light temperatures. This flexible linear solution is ideal for lighting applications that need to have complete control over their light output. A perfect low-energy, low-heat output solution for cove, niche, cabinet and display applications.



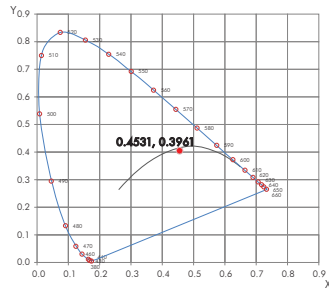
OUTPUT

| | |
|--------------------------|--|
| Delivered Lumens | 241.54 lm/ft |
| CCT & SDMC | 2300K - 4500K |
| Chromaticity Coordinates | x: 0.4531 y: 0.03961 u: 0.2547 v: 0.3471 |
| Color Bin Tolerance | N/A |
| Efficacy (lm/W) | 94.35 |
| CRI | 82 |
| Lumen Maintenance | 70,000 Hours L70 @ 25°C 90,000 Hours L50 @ 25°C 50,000 Hours L70 @ 50°C 70,000 Hours L50 @ 50°C |
| Testing Data | Light Data LM-79-08 & LM-80-08 |

ELECTRICAL

| | |
|-------------------|----------------------|
| Input Voltage | 12V DC |
| Power Consumption | 2.56W per ft (0.14A) |
| Power Factor | ≤ 1 |
| Control | DMX512 |

CIE 1931 CHROMATICITY DIAGRAM



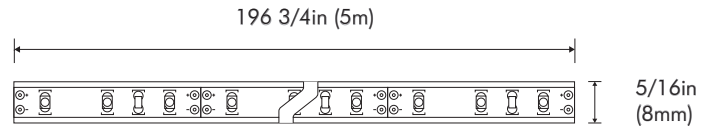
LUMINANCE DATA
(cd/sq.m)

| Angle in Degrees | Average 0-Deg | Average 45-Deg | Average 90-Deg |
|------------------|---------------|----------------|----------------|
| 45 | 9493 | 6655 | 5939 |
| 55 | 9206 | 5749 | 4930 |
| 65 | 8152 | 4276 | 3630 |
| 75 | 5432 | 2311 | 1921 |
| 85 | 3337 | 917 | 734 |

PHYSICAL

| | |
|-----------------------|--|
| Applications | IP20 Dry Locations, Cabinet, Cove, Display, Niches, Perimeter Lighting |
| Dimensions | Length 196 3/4in (5m) Width 5/16in (8mm) Height 1/8in (3mm) |
| LED Spacing | 1/4in (6mm) |
| Beam Distribution | 110° |
| Cutting Distance | 2in (50mm) |
| Weight | 6.4oz (181g) Per Reel |
| Construction | Constant Voltage Design Protects LEDs And Prolongs Life. White FPCB |
| Thermal Management | N/A |
| Optics | N/A |
| Fixture Connections | Snap on Connectors |
| Operating Temperature | -22°F ~ 122°F (-30°C ~ 50°C) |
| Storage Temperature | -40°F ~ 176°F (-40°C ~ 80°C) |
| Humidity | 0-95% Non Condensing |

DIMENSIONS



MODA TECHNOLOGY STANDARDS & CERTIFICATIONS

moda**PHOSPHOR**[™]

moda**ZERO BIN**[™]



RoHS ✓

LM
79

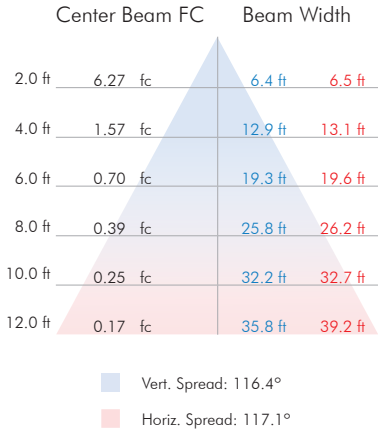
LM
80

3
YEAR
WARRANTY

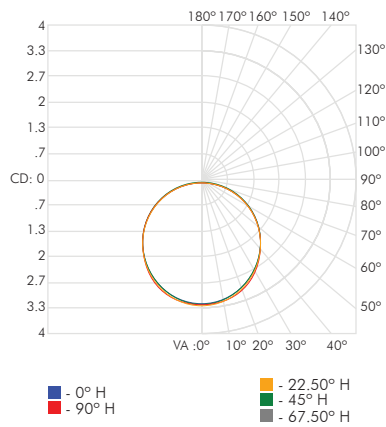
Project Name:

Notes:

ILLUMINANCE AT A DISTANCE



POLAR CANDELA DISTRIBUTION



ZONAL LUMEN SUMMARY

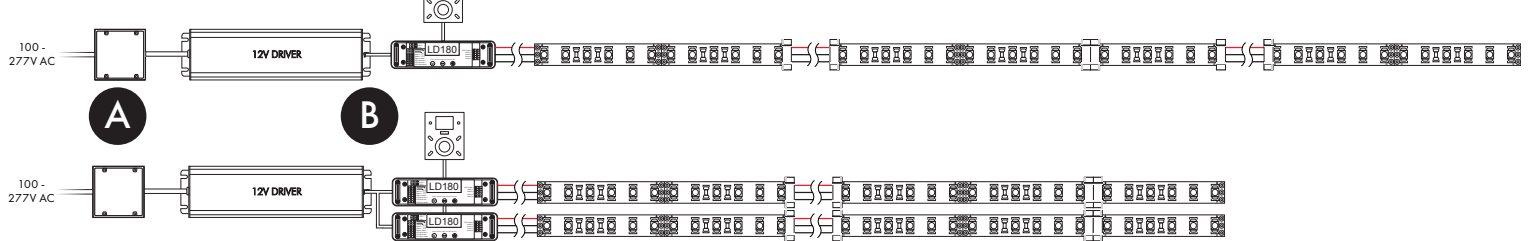
| Zone | Lumens | % Lamp | % Fixt |
|--------|--------|--------|--------|
| 0-30 | 61.60 | N.A. | 25.50% |
| 0-40 | 102.17 | N.A. | 42.30% |
| 0-60 | 185.02 | N.A. | 76.60% |
| 60-90 | 44.00 | N.A. | 18.20% |
| 0-90 | 233.57 | N.A. | 96.70% |
| 90-180 | 8.00 | N.A. | 3.30% |
| 0-180 | 241.54 | N.A. | 100% |

LUMENS PER ZONE

| Zone | Lumens | % Lamp | % Fixt |
|--------|--------|--------|--------|
| 0-10 | 7.40 | N.A. | 3.06% |
| 10-20 | 21.33 | N.A. | 8.83% |
| 20-30 | 32.85 | N.A. | 13.60% |
| 30-40 | 40.53 | N.A. | 16.78% |
| 40-50 | 43.16 | N.A. | 17.87% |
| 50-60 | 39.71 | N.A. | 16.44% |
| 60-70 | 29.30 | N.A. | 12.13% |
| 70-80 | 14.56 | N.A. | 6.03% |
| 80-90 | 4.78 | N.A. | 1.98% |
| 90-100 | 2.66 | N.A. | 1.10% |

WIRING

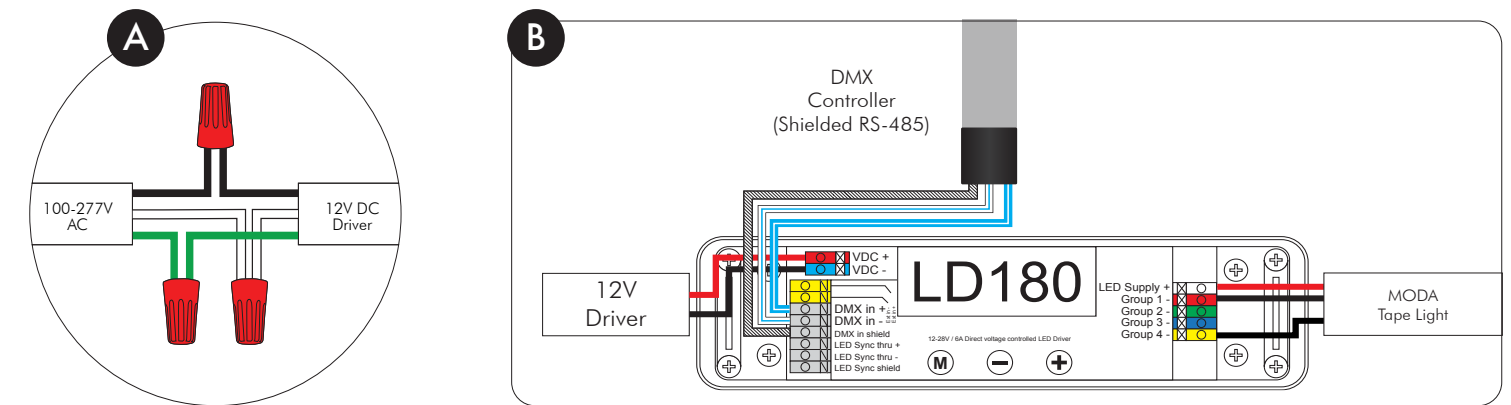
Connection in Series



Connection in Parallel

Parallel Run DMX Wiring

Multiple connections in parallel can be made provided that each section does not exceed the Max Run Length of the product and does not exceed Max Load on driver.
Example: 3 parallel connections x 184in lengths ≤ 46 total feet for Max Load determination.



WIRING LEGEND

| 12V Driver Primary Side | 12V Driver Secondary Side | DMX CONTROLLER | Leader Cable |
|-------------------------|---------------------------|----------------|--------------|
| Live 100-277V AC | DC Power Positive | Data Positive | 12V Positive |
| Neutral AC | DC Power Negative | Data Negative | Negative |
| Ground AC | | DMX Shield | Negative |

MAX LOAD

| | |
|-------------|-------------|
| 132W Driver | 46ft (14m) |
| 60W Driver | 21ft (6.4m) |

MAX CONTINUOUS RUN

196 3/4in (5m)

| FIXTURE | ORDERING SKU |
|------------------------------------|--------------|
| Starflex Dynamic White 2300K-4500K | STF-DW-12V |

| POWER | ORDERING SKU |
|--|--------------|
| 12V DC Driver - 100-277V AC Input - Non-Dimmable - 132W - IP20 | MP16 |

| ACCESSORIES | ORDERING SKU |
|-----------------------|----------------|
| 10FT Leader Cable | MRTA58 |
| In-Line Connector | MRTA59 |
| 4IN EZ Connector | MRTA62 |
| Moda Shield Clear 4FT | MODA-SHD-C-4FT |
| Moda Shield White 4FT | MODA-SHD-W-4FT |

| CONTROLS | DESCRIPTION | PART NUMBER | ORDERING SKU |
|-------------|---|-------------------|--------------|
| Kandi Touch | DMX512 Wall Mounted Touch Panel Controller with Color Display | KND-TCH-B (Black) | 250-0040 |
| | | KND-TCH-W (White) | 250-0041 |
| MODA Touch | DMX512 Wall Mounted Touch Panel Controller | MTCH-S1-B (Black) | MTCH-S1-B |
| | | MTCH-S1-W (White) | MTCH-S1-W |

| CONTROL ACCESSORIES | DESCRIPTION | PART NUMBER | ORDERING SKU |
|-----------------------|--|---------------------|--------------|
| Linear Drive 180 | 180W 4 Channel Constant Voltage DMX Interface | N/A | LD180 |
| Shielded Cable 500FT | RS-485 Cable for DMX, 24 AWG stranded TC conductors, polyethylene insulation | SW-L-19827-1-500FT | 250-0251 |
| Shielded Cable 1000FT | RS-485 Cable for DMX, 24 AWG stranded TC conductors, polyethylene insulation | SW-L-19827-1-1000FT | 250-0252 |