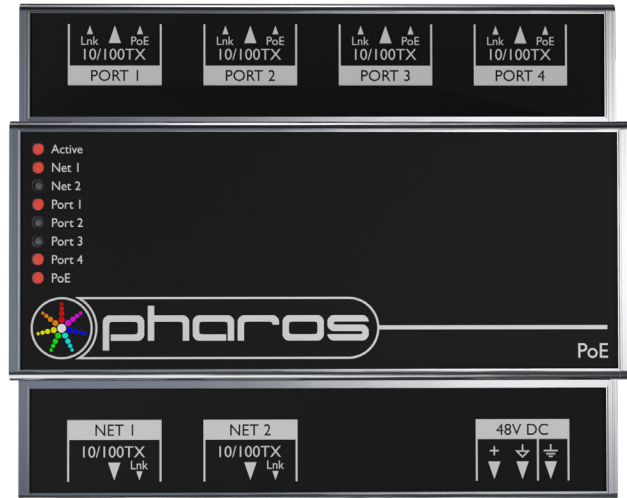




Power-over-Ethernet Switch

The Pharos PoE provides a simple power and networking solution for four Power-over-Ethernet devices with two separate Ethernet uplink ports. It is perfect for connecting power and data between Pharos Designer Controllers and Pharos Designer Remote Devices.

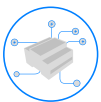


PoE Features



PoE Technology

Combine power and data in a single Ethernet cable using PoE (IEEE 802.3af and IEEE 802.3at) technology making it easy to locate your Pharos Designer devices where you need them.



Multiple Ports

Use four ports to power and connect multiple Pharos Designer Controllers or Remote Devices (or other IEEE 802.3af or IEEE 802.3at compliant devices). Two additional ports (without PoE) are available to connect to your computer, other networks or other devices not require Power-over-Ethernet.



No Commissioning

The simple un-managed switch operates out of the box, with no commissioning required.



Installer Friendly

Made for permanent installation, with installer-friendly connectors and easy DIN rail mounting.



Protected

Resettable fuses protect each port with the appropriate level of overcurrent protection for the Class of device that is attached.



Scalable

Compatible with all Pharos Designer devices, and can be used with other POEs to create larger networks.



Flexible

Automatically detects the requirements of the connected device to provide the correct power level.



Reliable

Hardware and firmware are self-sufficient, so no PC needs to be left on site. Rugged, compact unit designed for 24/7 operation and reliability.

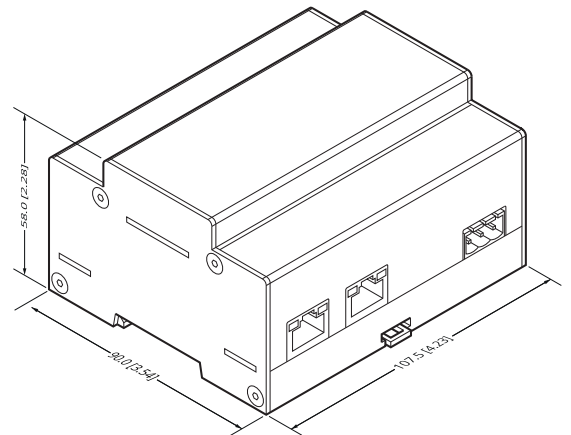


Interfaces

PoE	Four RJ45 sockets for 10/100Base-TX Ethernet with Power-over-Ethernet Supports IEEE 802.3af Class 1, 2, and 3 and IEEE 802.3at Class 4 (Type 2) devices
Ethernet	Two RJ45 sockets for 10/100Base-TX Ethernet

Specifications

Power	48V DC * power consumption dependant on load, 100W maximum
Temperature	0°C to 50°C (32°F to 122°F)
Humidity	10-50% relative, non-condensing
Ingress	IP40
Physical	6 unit wide DIN rail mounting enclosure (DIN43880 / EN60715 (35/7.5 rail)) 0.5 kg (1.1 lbs)
Shipping	20 x 15 x 12 cm (8" x 6" x 5") 0.7 kg (1.6 lbs)



Order Code & Variants

PoE	Designer Unmanaged PoE Ethernet Switch (4+2 Port: 4 PoE, 2 non-PoE)
------------	---------------------------------------------------------------------

Warranty & Certifications

Warranty	5 years
Certifications	CE compliant, UKCA compliant, ETL/cETL listed.

