

modaLIGHT[®]

SPECIFICATION

MPJB96 * DRIVER

Class 2 specification grade 24V DC multi-channel 96W LED driver. Universal input 120-277V AC for worldwide use. 0-10V dimmable. Inside a quality metal junction box enclosure with DIN rail mounting and multiple 1 1/8" knock-outs. Separate high voltage compartment. Built-in active PFC function. Fully protected from Over Current, Short Circuit and Over Temperature. UL Listed and Plenum rated surface or recessed mount.



OUTPUT (per channel)

DC Voltage	24V
Rated Current	4.1A
Rated Power	96W
Efficiency (Typ.)	84.0%
Dimming	0 - 10V *1%-100%

INPUT

Voltage Range	120 - 277V AC
Frequency Range	50 / 60 Hz
Power Factor	< 0.91
Input Current	0.96A Max per channel

PROTECTION

Circuit Breaker	Hiccup Mode
	Over Current
	Short Circuit
	TC _{case} : Max 176° (80° C)
Over Temperature	Type: Hiccup Mode

STANDARDS & CERTIFICATIONS

Safety Standards	UL8750, UL2108
RoHS	Compliant
Inrush Current	5A Max@120VAC 30A Max@277VAC
Class	2 single channel
Warranty	5 Year Limited Warranty

Project Name:

Notes:

PHYSICAL

Dimensions	Length (2-3 ch) 16 7/8" (453mm) (4-7 ch) 34 3/4" (881mm) Width 15" (381mm) Depth (box & cover) 4 1/16" (103mm)
Output Wire Gauge	12 to 26 gauge
Construction	Steel Construction
Audible Noise	<24dB Class A per channel

ENVIRONMENT

Location	Dry Location Rated IP20
Operation Temp.	- 22° F ~ 122° F (- 30° C ~ 50° C)
Operation Humidity	20% ~ 95% RH Non Condensing
Storage Temp.	- 40° F ~ 185° F (- 40° C ~ 85° C)
Storage Humidity	10% ~ 90% RH

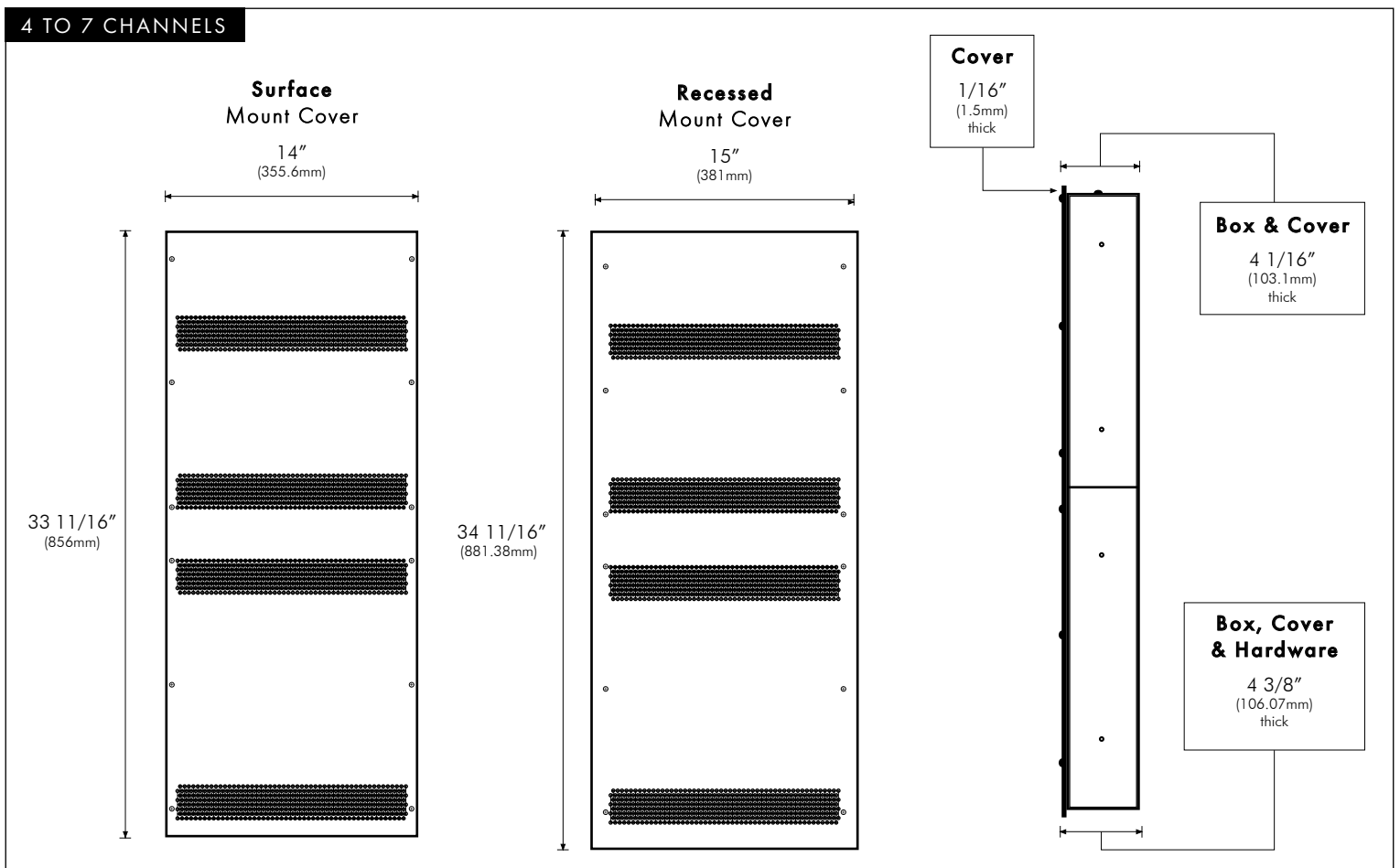
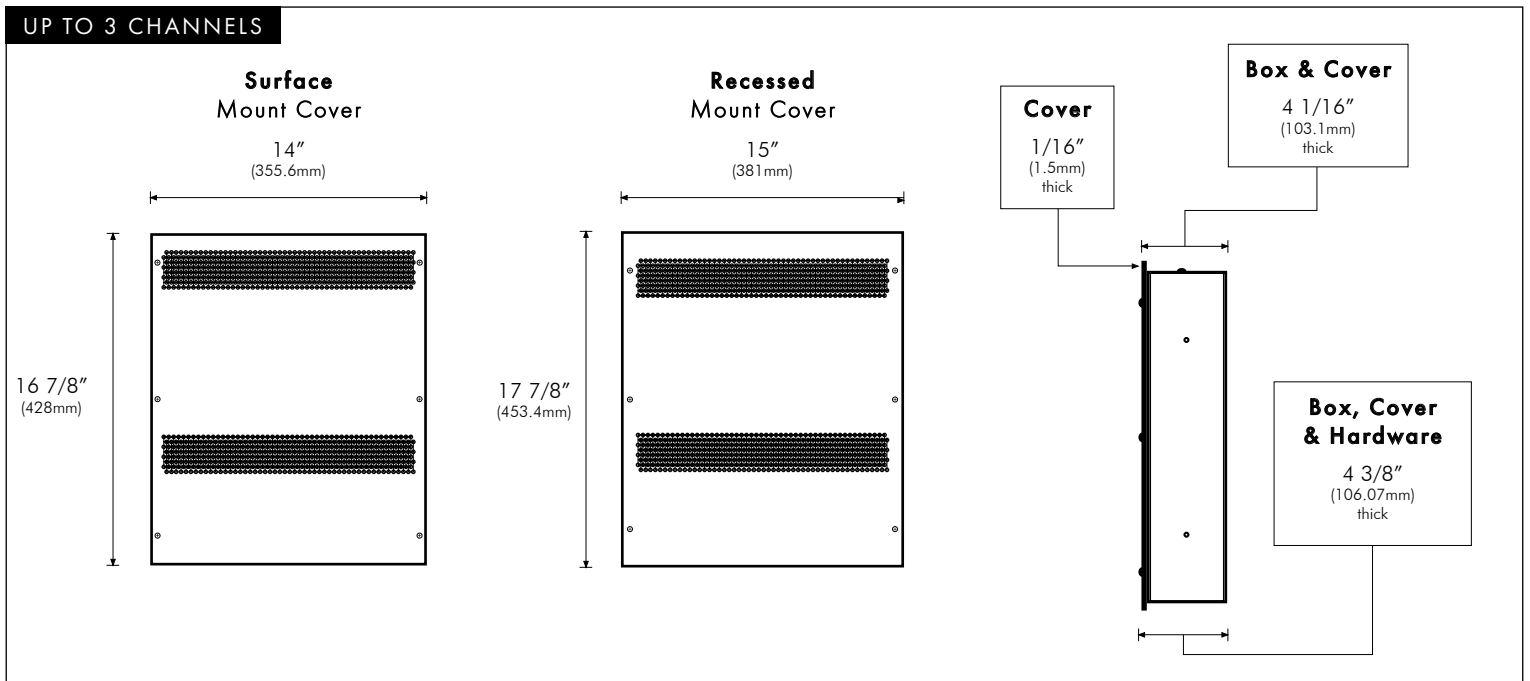
Note: With constant development of LED technology please refer to our website for current technical data

STANDARDS & CERTIFICATIONS

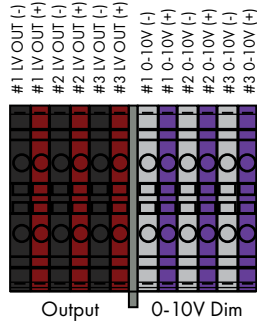
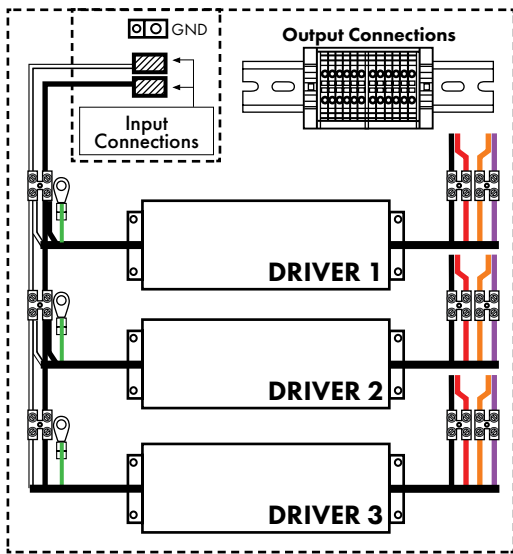


ORDERING SKU

- 2 Channels: MPJB962
- 3 Channels: MPJB963
- 4 Channels: MPJB964
- 5 Channels: MPJB965
- 6 Channels: MPJB966
- 7 Channels: MPJB967



UP TO 3 CHANNELS

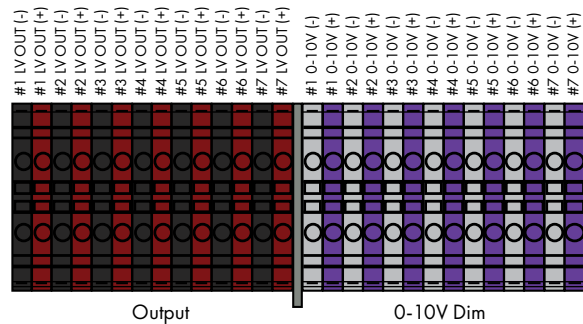
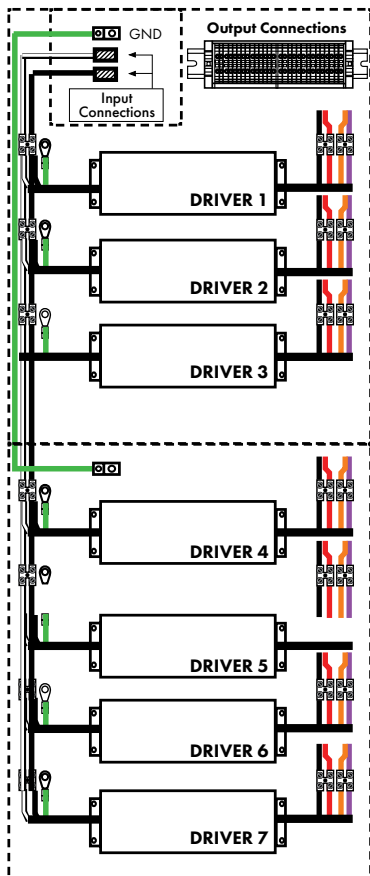


Output/0-10V Connectors
DIN Terminals

Notes

- Wiring diagram is typical for 2 channel version
- Output terminal block accept 12 to 26 gauge wire

4 TO 7 CHANNELS



Output/0-10V Connectors
DIN Terminals

Notes

- Wiring diagram is typical for 4 to 6 channel version
- Input and output terminal block accept 12 to 26 gauge wire