

**RGB Wet Location LED Flexible Linear System:**

RGB LINEARFLEX is a premium member of the LINEARFLEX family. Fully encapsulated within a commercial grade silicone housing that is tough and extremely durable for the most robust and harsh installations. RGB LINEARFLEX uses 3 in 1 RGB LEDs and is compatible with DMX 512 allowing it to produce 16.7 million color variations. Field cuttable and supplied with easy to connect modular accessories RGB LINEARFLEX is a perfect choice for your wet location installations.



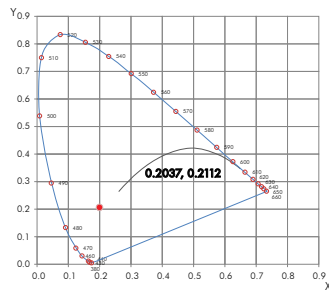
**OUTPUT**

Delivered Lumens	28.43 lm / ft
CCT & SDMC	N/A
Chromaticity Coordinates	x: 0.2037 y: 0.2112 u: 0.1589 v: 0.3707
Color Bin Tolerance	N/A
Efficacy (lm/W)	16.06
CRI	N/A
Lumen Maintenance	70,000 Hours L70 @ 25°C 90,000 Hours L50 @ 25°C 50,000 Hours L70 @ 50°C 70,000 Hours L50 @ 50°C
Testing Data	Light Data LM-79-08 & LM-80-08

**ELECTRICAL**

Input Voltage	24V DC
Power Consumption	1.77W per ft (0.12A)
Power Factor	≤ 1
Control	DMX 512

**CIE 1931 CHROMATICITY DIAGRAM**



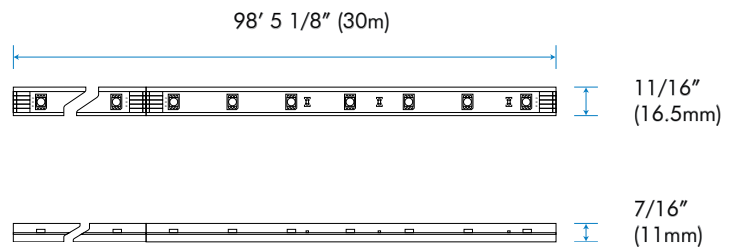
**LUMINANCE DATA (cd/sq. m)**

Angle in Degrees	Average 0-Deg	Average 45-Deg	Average 90-Deg
45	5213	5317	5372
55	5417	5517	5525
65	5490	5638	5605
75	4803	5008	4981
85	2885	2805	2250

**PHYSICAL**

Applications	IP67 Wet Locations, Cabinet, Cove, Display, Niches, Perimeter Lighting
Dimensions	Length 98' 5 1/8" (30m) Width 11/16" (16.5mm) Height 7/16" (11mm)
LED Spacing	1 1/8" (30mm)
Beam Distribution	110°
Cutting Distance	9 7/8" (250mm)
Weight	12.6 lbs (5.72kg) Per Reel
Construction	Tough Polyepoxide UV Protected Body
Thermal Management	N/A
Optics	N/A
Fixture Connections	Snap on Connectors
Operating Temperature	-4°F ~ 113°F (-20°C ~ 45°C)
Storage Temperature	-4°F ~ 122°F (-20°C ~ 50°C)
Humidity	0-95% Non Condensing

**DIMENSIONS**



**MODA TECHNOLOGY**

moda**PHOSPHOR**<sup>™</sup>

moda**ZERO BIN**<sup>™</sup>

**STANDARDS & CERTIFICATIONS**



RoHS<sup>✓</sup>

LM 79

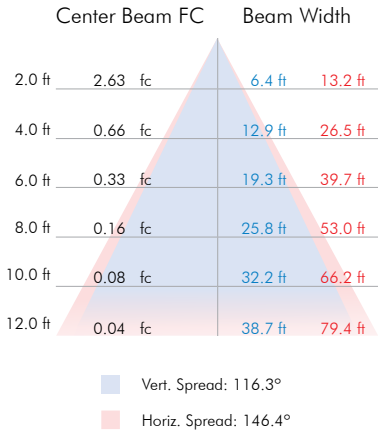
LM 80

5 YEAR WARRANTY

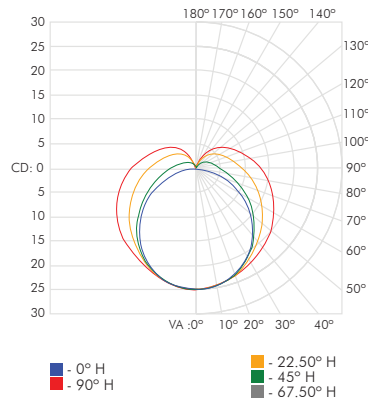
Project Name:

Notes:

**ILLUMINANCE AT A DISTANCE**



**POLAR CANDELA DISTRIBUTION**



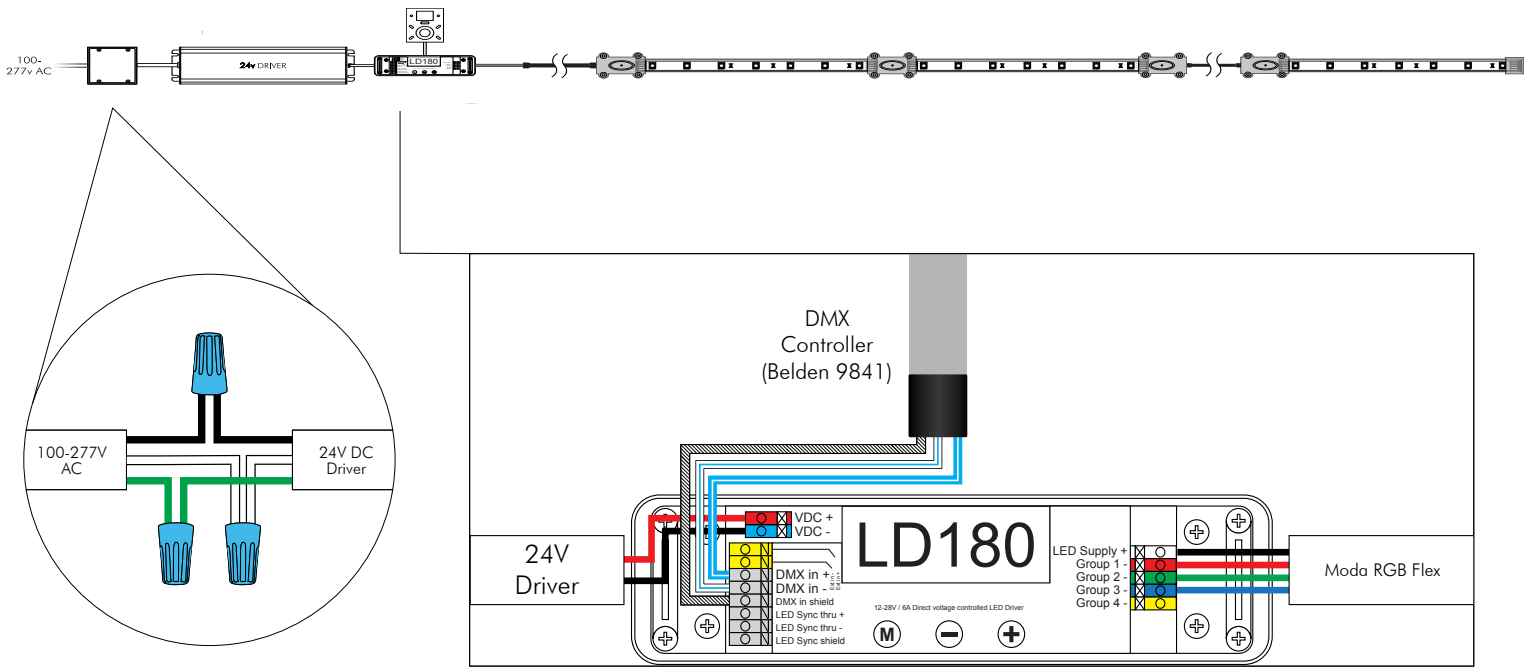
**ZONAL LUMEN SUMMARY**

Zone	Lumens	% Lamp	% Fixt
0-30	6.14	N.A.	21.60%
0-40	10.29	N.A.	36.20%
0-60	19.50	N.A.	68.60%
60-90	8.93	N.A.	31.40%
0-90	28.43	N.A.	100.00%
90-180	0.00	N.A.	0.00%
0-180	28.43	N.A.	100.00%

**LUMENS PER ZONE**

Zone	Lumens	% Lamp	% Fixt
0-10	0.74	N.A.	2.60%
10-20	2.13	N.A.	7.50%
20-30	3.30	N.A.	11.60%
30-40	4.15	N.A.	14.60%
40-50	4.55	N.A.	16.00%
50-60	4.66	N.A.	16.40%
60-70	4.52	N.A.	15.90%
70-80	3.07	N.A.	10.80%
80-90	1.34	N.A.	4.70%
90-100	0.00	N.A.	0.00%

**WIRING**



**WIRING LEGEND**

24V Driver Primary Side	24V Driver Secondary Side	DMX CONTROLLER
— Live 100-277V AC	— DC Power Positive	— Positive
— Neutral AC	— DC Power Negative	— Negative
— Ground AC		

Leader Cable
— 24V Positive
— Red
— Green
— Blue

**MAX RUN**

150W Driver 76' (23m)

**MAX CONTINUOUS RUN**

150W Driver 34' (10.36m)

Due to continuous improvements and innovations, specifications may change without notice. Please refer to our website for current technical data. These figures are provided as a guideline only and may vary with differing power supplies and installations. All rights reserved. E&OE.

FIXTURE	SKU
Linearflex RGB- IP67 Wet Location 3.28ft	RGB-LNF

POWER	SKU
24V DC Driver - 100-277V AC Input - Non-Dimmable - 150W - IP67	MP17

ACCESSORIES	SKU
10ft Leader Cable	MRTA52
1ft Jumper Cable	MRTA53
In-line Connector	MRTA54
Mounting Clip	MRTA13
End Cap	MRTA11
3M Super Silicone Sealant 3 oz	MRTA62
3M Super Silicone Sealant 1/10 Gal	MRTA62-XL

CONTROLS	SKU
Kandi-Touch-Black	KND-TCH-B
Kandi-Touch-White	KND-TCH-W

CONTROLS	SKU
Linear Drive 180	LD180
Belden Shielded 9841 500ft	BDL-9841-500
Belden Shielded 9841 1000ft	BDL-9841-1000