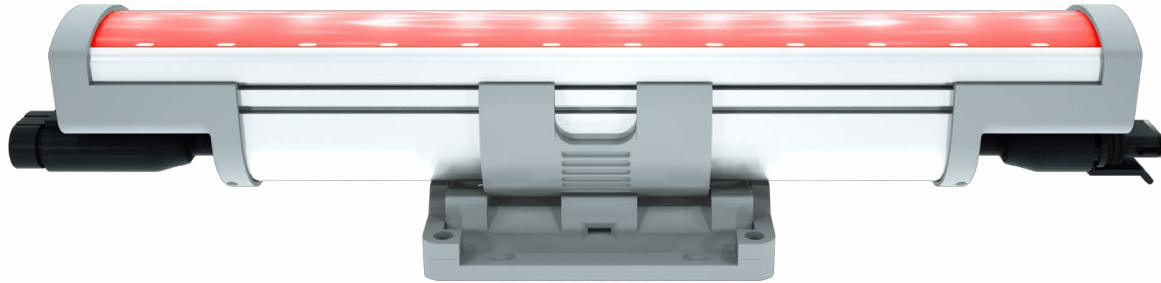


Client: _____ Project Name: _____

MODA Contact: _____ E-Mail: _____

SKU: _____ Type: _____ PO#: _____ Quantity: _____

Notes: _____



Specification Grade Premium Exterior Cove Fixture.

MODA COVE Exterior is a patent pending cove lighting system designed for exterior applications. Utilizing MODA's latest software and dimming technology with its onboard dimming chipset and MODA firmware, this series can dim to 0% smoothly without any flicker or noise and simultaneously synchronize dim with every fixture. Electronic Low Voltage dimming has no minimum run lengths. 100-277V, 50/60Hz power input allows these fixtures to be installed anywhere in the world. New patent pending locking bracket rotates 180 degrees for a multitude of light directions. Rugged aluminum design. Protected from corrosion and harsh weather conditions by MODA GUARD – a tough seal which protects the fixture. Fast installation is achieved with MODA KWIK CONNECT plugs and install-integral thumb latch connectors.

Saturated vivid colors change and enhance any environment. Choose from Red, Green, Blue, or Amber. Available in 1ft & 4ft sections. Series is designed for driver or light engine to be factory replaced at its end of life or recycled.

Designed and developed in Las Vegas, USA by MODA.

PAGE

3 FEATURES

4 1 FOOT

5 4 FOOT

6 CHROMATICITY

7 ELV WIRING

8 0-10V TO ELV

9 ACCESSORIES: CABLES

10 FIXTURES

11 ACCESSORIES

PHYSICAL

Dimensions	L: 12 1/2in (318mm)	W: 2 13/16in (71mm)
	L: 47 3/8in (1204mm)	H: 2 9/16in (65mm)
Weight	12in: 1.3lbs (0.6kg)	
	48in: 4.6lbs (2.1kg)	
Applications	Cove, Accent, & Indirect General Illumination	
Construction	Pure Aluminum Body, Polycarbonate Mounting Bracket and Polycarbonate Optical Lens	
Ingress Protection	Wet Location IP66	
Thermal Management	Moda Aluminum Heat Sink	
Fixture Connections	Integral Male & Female Connectors	
Operating Temperature	-40°F ~ 122°F (-40°C ~ 50°C)	
Storage Temperature	-40°F ~ 176°F (-40°C ~ 80°C)	
Humidity	0-95% Non Condensing	

SPECIFICATIONS

	Lumens		Efficacy	
	1FT	4FT	1FT	4FT
HO	492 - 948	1968 - 3792	49 - 94	49 - 94

POWER CONSUMPTION

	120V - 277V AC	
	1FT	4FT
HO	10W	40W

ELECTRICAL

Input Voltage	100-277V AC 50Hz/60Hz
Control	Electronic Low Voltage Reverse Phase Trailing Edge
Power Factor	≥ 0.98

MAX CONTINUOUS RUN

	120V AC	240V AC	277V AC
HO	60ft	60ft	120ft

OUTPUT

Colors	Red, Green, Blue, and Amber available
Beam Angle	120°
CRI	94-98
SDCM	2-Step MacAdam Ellipse
Color Bin Tolerance	Single Bin
Lumen Maintenance	90,000 Hours L70 @ 25°C 70,000 Hours L70 @ 50°C
Testing Data	Light Data LM-79-08 & LM-80-08

COLOR AVAILABILITY

COLOR	HO	HO+
Red	•	•
Green	•	•
Blue	•	•
Amber	•	•

• Available

MODA TECHNOLOGY

moda**SOFTWARE**[™]

moda**HARDWARE**[™]

moda**PHOSPHOR**[™]

moda**DRIVER**[™]

moda**ZERO BIN**[™]

moda**THERMAL MANAGEMENT**[™]

moda**GUARD**[™]

moda**SEAL**[™]

moda**AIRFLOW**[™]

moda**COMMUNICATE**[™]

moda**KWIK CONNECT**[™]

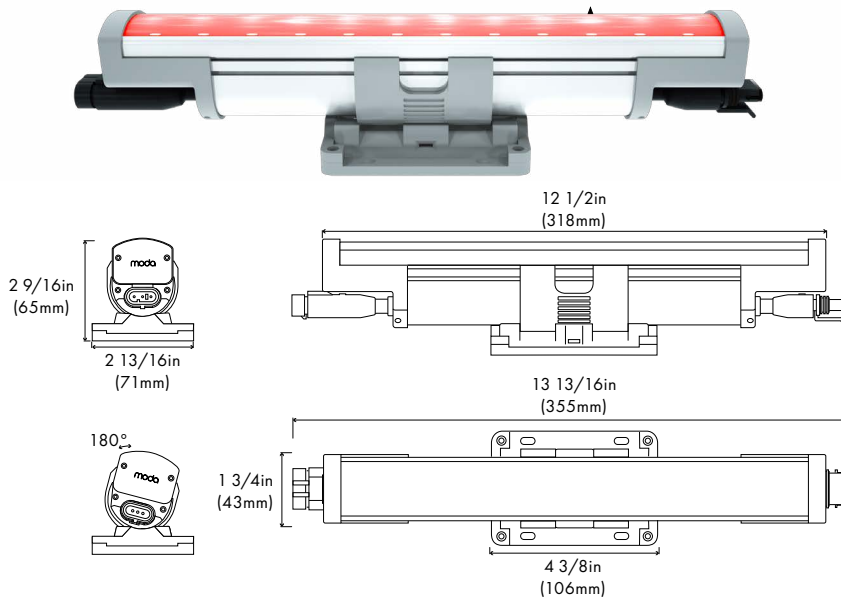
STANDARDS & CERTIFICATIONS



Certification Tested to UL & CSA by Intertek For Use in USA & CANADA. Exceeds ANSI C78.377-2015, CE, CCC, C-Tick, RoHS, & WEEE Compliant.

Class 1

Warranty 3 Year Limited Warranty



ELV

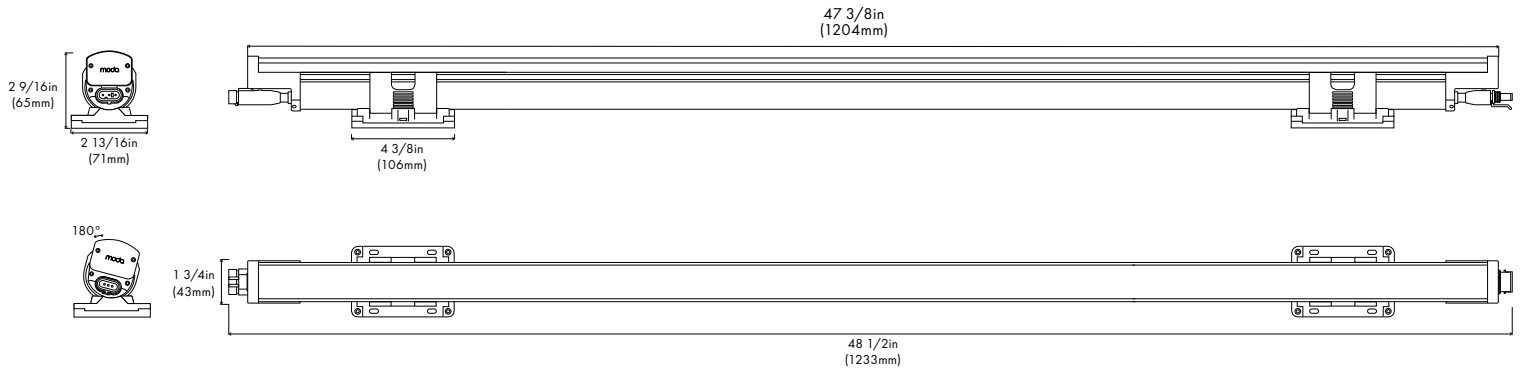
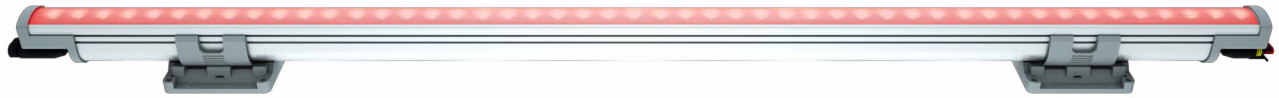
Output	Color	Lumens	Efficacy
HO	Red	768.00	76.80
	Green	948.00	94.80
	Blue	492.00	49.20
	Amber	888.00	88.80
HO+	Red	288.00	28.80
	Green	366.00	33.60
	Blue	240.00	24.00
	Amber	384.00	38.40

Power Consumption

120-277V AC 10W

Max Run Lengths

120V AC	60ft
240V AC	120ft
277V AC	120ft



ELV

Output	Color	Lumens	Efficacy
HO	Red	3071.00	76.80
	Green	3792.00	94.80
	Blue	1968.00	49.20
	Amber	3552.00	88.80
HO+	Red	1150.00	28.75
	Green	1339.00	33.47
	Blue	958.00	23.95
	Amber	2880.00	72.00

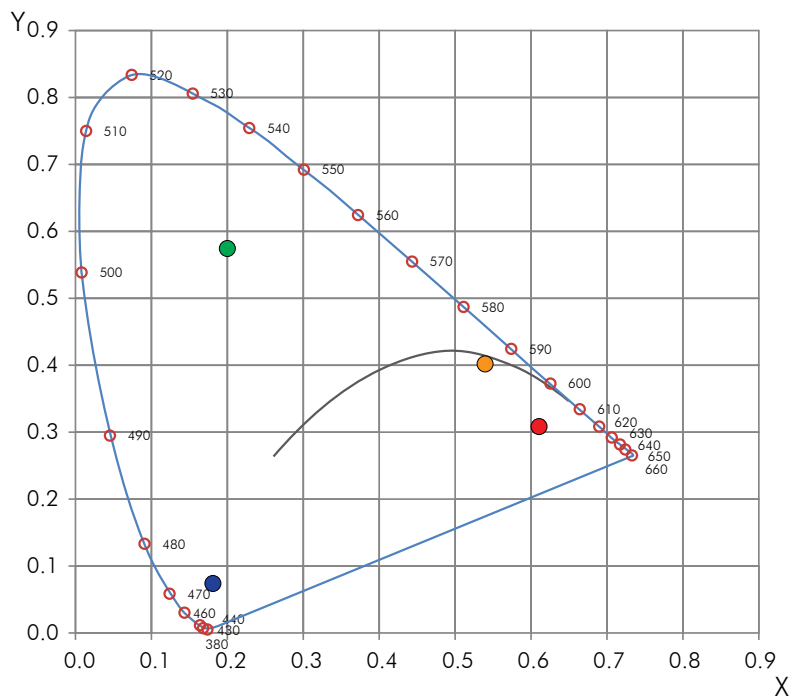
Power Consumption

120-277V AC 40W

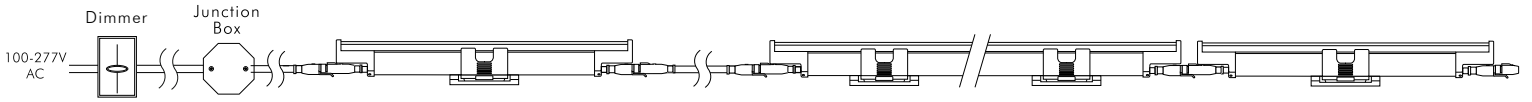
Max Run Lengths

120V AC	60ft
240V AC	120ft
277V AC	120ft

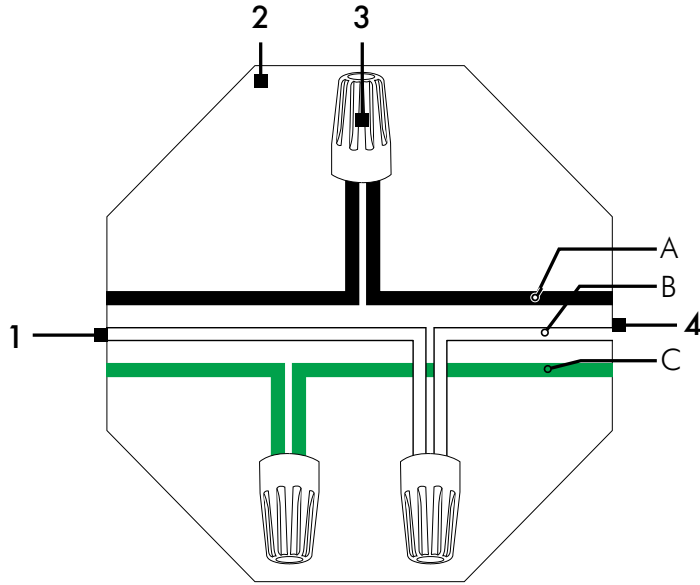
CIE 1931 Chromaticity Diagram



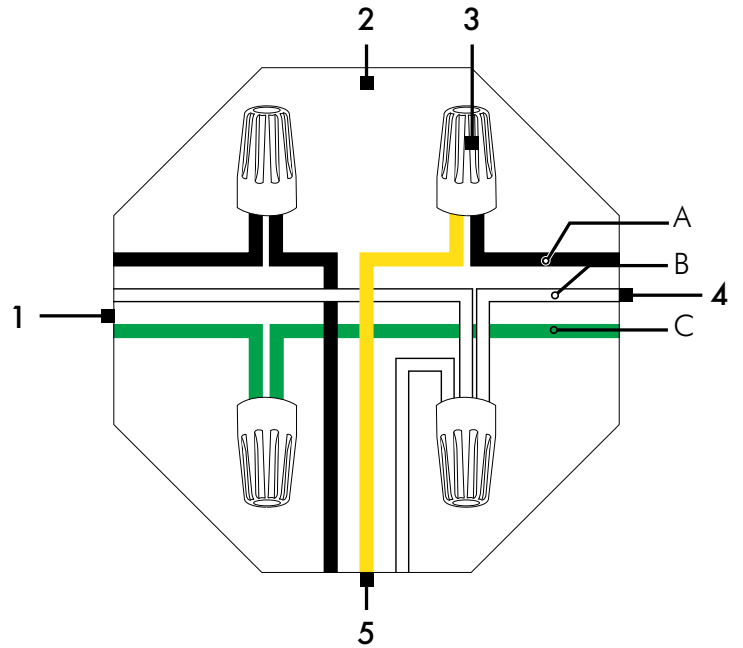
Color	Coordinate	Wavelength
● Red	x: 0.6221 y: 0.3174 u: 0.4482 v: 0.5111	620nm
● Green	x: 0.2075 y: 0.5883 u: 0.0835 v: 0.5445	520nm
● Blue	x: 0.1804 y: 0.0715 u: 0.2158 v: 0.1834	445nm
● Amber	x: 0.5415 y: 0.4189 u: 0.3145 v: 0.5412	611nm



UL / cUL Non-dimming



UL / cUL ELV Dimming



Wiring Legend

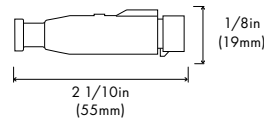
1	Power 100-277V AC
2	Junction Box
3	Wiring Nuts
4	3 Pin Leader Cable
5	ELV Dimmer

3 Pin Leader Cable

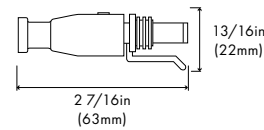
	UL/cUL
A	Live 100-277V AC Black
B	Neutral White
C	Ground Green

ELV Connectors

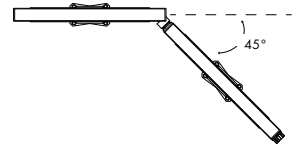
Female

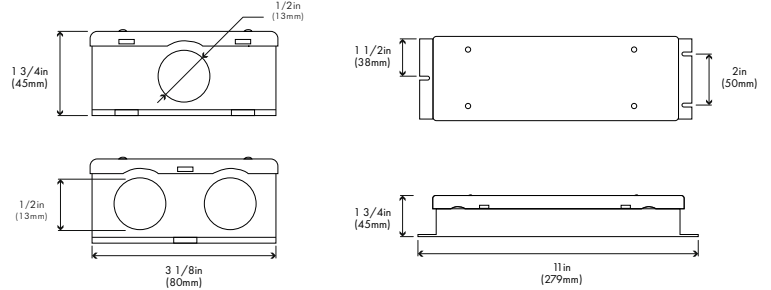


Male



Angle Adjustment

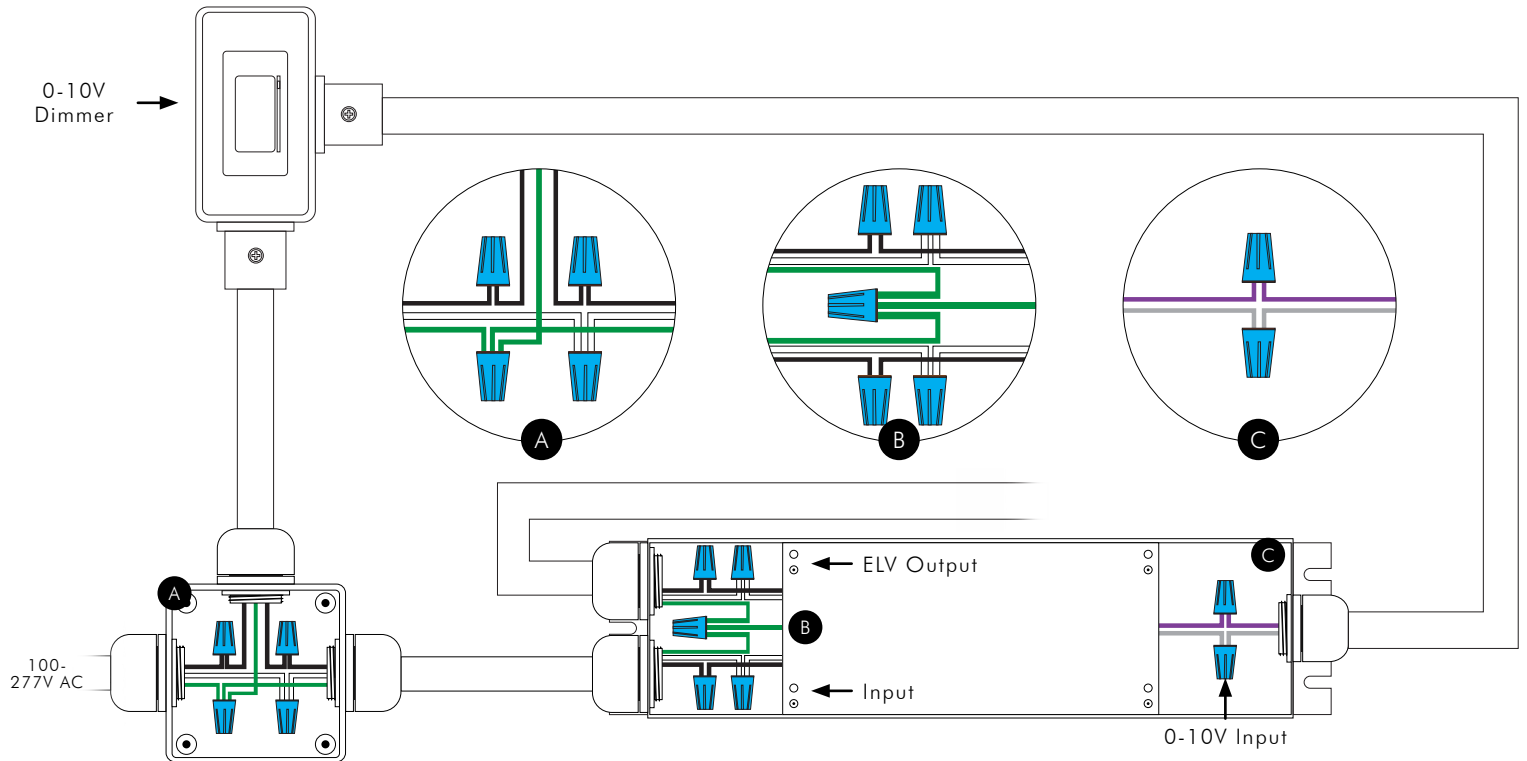




MODA BRIDGE 1

Converting 0-10V to ELV.

MODA BRIDGE 1 solves many installation issues. It accepts a standard 0-10V signal from most dimmers and dimming systems and internally converts this signal into a Electronic Low Voltage (ELV) signal. Thus enabling 0-10V control of an ELV fixture. It is optimized to perform precise smooth flicker free dimming down to 0%. Simple wiring with its integral 1/2in holes which accepts liquid tight or interior conduit connectors. Wire to any 100-277V 50/60 Hz feed. Power up to 840W of fixtures at 120V, 1600W at 230V, and 1900W at 277V. Fully potted enables the installer to mount this product virtually anywhere with its Wet Location IP65 rating. Fully protected from surge, short circuit, open circuit and over temperature. Power Input and data interface protected with High Grade Surge Protection. Designed and developed by MODA LIGHT, Las Vegas USA



Input

	UL/cUL	
Live 100-277V AC	—	Black
Neutral	—	White
Ground	—	Green
0-10V / Data +	—	Purple
0-10V / Data -	—	Pink

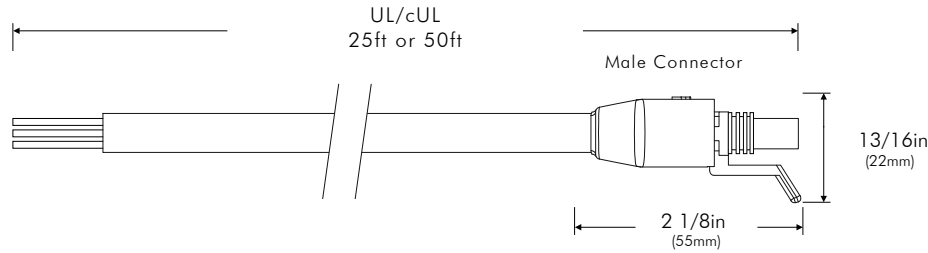
Output

	UL/cUL	
Live 100-277V AC	—	Black
Neutral	—	White
Ground	—	Green

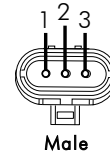
ELV Leader Cables

Moda Cove Exterior 3 Pin Leader Cables

	UL/cUL
Lengths	25ft and 50ft
Color	Black

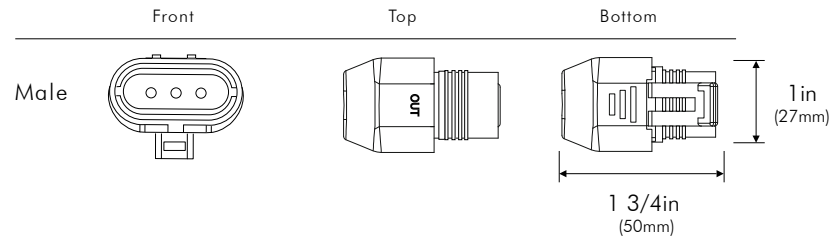


Pin Assignment



	UL/cUL
1 Live 100-277V	Black
2 Ground	Green
3 Neutral	White

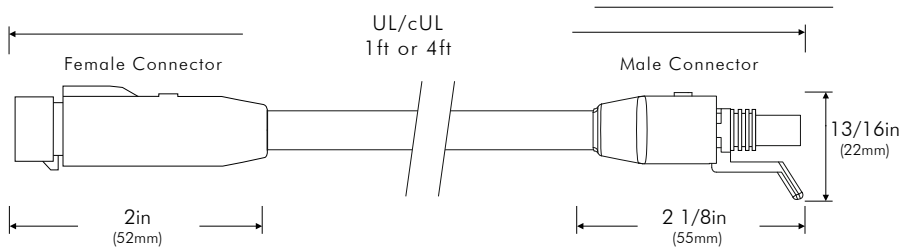
Connectors



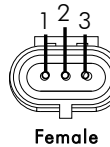
ELV Jumper Cables

Moda Cove Exterior 3 Pin Jumper Cables

	UL/cUL
Lengths	1ft and 4ft
Color	Black

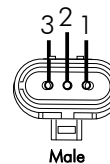
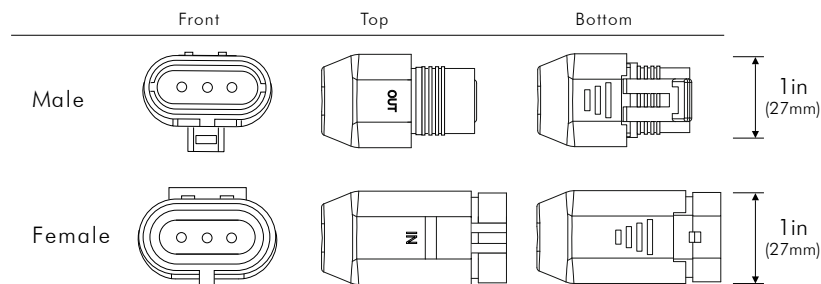


Pin Assignment



	UL/cUL
1 Live 100-277V	Black
2 Ground	Green
3 Neutral	White

Connectors



	UL/cUL
1 Live 100-277V	Black
2 Ground	Green
3 Neutral	White

	FIXTURE	ORDERING SKU
ELV HO 1FT	Moda Cove Exterior High Output Silver ELV Dimming Amber 1FT	MCE-HO-S1-S-A-1
	Moda Cove Exterior High Output Silver ELV Dimming Blue 1FT	MCE-HO-S1-S-B-1
	Moda Cove Exterior High Output Silver ELV Dimming Green 1FT	MCE-HO-S1-S-G-1
	Moda Cove Exterior High Output Silver ELV Dimming Red 1FT	MCE-HO-S1-S-R-1
ELV HOP 1FT	Moda Cove Exterior High Output Plus Silver ELV Dimming Amber 1FT	MCE-HOP-S1-S-A-1
	Moda Cove Exterior High Output Plus Silver ELV Dimming Blue 1FT	MCE-HOP-S1-S-B-1
	Moda Cove Exterior High Output Plus Silver ELV Dimming Green 1FT	MCE-HOP-S1-S-G-1
	Moda Cove Exterior High Output Plus Silver ELV Dimming Red 1FT	MCE-HOP-S1-S-R-1
ELV HO 4FT	Moda Cove Exterior High Output Silver ELV Dimming Amber 4FT	MCE-HO-S1-S-A-4
	Moda Cove Exterior High Output Silver ELV Dimming Blue 4FT	MCE-HO-S1-S-B-4
	Moda Cove Exterior High Output Silver ELV Dimming Green 4FT	MCE-HO-S1-S-G-4
	Moda Cove Exterior High Output Silver ELV Dimming Red 4FT	MCE-HO-S1-S-R-4
ELV HOP 4FT	Moda Cove Exterior High Output Plus Silver ELV Dimming Amber 4FT	MCE-HOP-S1-S-A-4
	Moda Cove Exterior High Output Plus Silver ELV Dimming Blue 4FT	MCE-HOP-S1-S-B-4
	Moda Cove Exterior High Output Plus Silver ELV Dimming Green 4FT	MCE-HOP-S1-S-G-4
	Moda Cove Exterior High Output Plus Silver ELV Dimming Red 4FT	MCE-HOP-S1-S-R-4

ACCESSORIES	DESCRIPTION	ORDERING SKU
Leader Cable US 3 Pin 25FT	Power to first fixture of run	MLCE-US-3PIN-B-25FT
Leader Cable US 3 Pin 50FT	Power to first fixture of run	MLCE-US-3PIN-B-50FT
Jumper Cable US 3 Pin 1FT	Connection between fixtures	MJCE-US-3PIN-B-1FT
Jumper Cable US 3 Pin 4FT	Connection between fixtures	MJCE-US-3PIN-B-4FT
Terminator 3 Pin	Must be fixed to last fixture for safety	MTE-3PIN-B
Exterior Bracket Lock	Holds fixture in place for vertical installation	MCGE-BL-G

CONTROLS	DESCRIPTION	PART NUMBER	ORDERING SKU
MODA Bridge 1 2.0 US	Allows user to convert a 0-10V dimming signal into an ELV dimming signal. North American Model	MODA-BRIDGE-1-S2-S	250-0000