

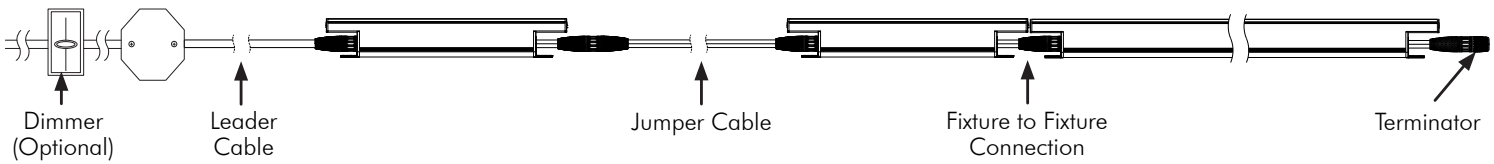
**1** Must be installed by a qualified electrician in accordance with all national and local electrical and construction codes and regulations. Ensure system is de-energized before installation. Review electrical plans and read all installation instructions prior to installation. Failure to comply with the following installation instructions will void the warranty and may result in serious injury or possible death. With the constant development of our products please check our website ([www.modalight.com](http://www.modalight.com)) for the latest installation guide.

La instalación debe ser realizada por un electricista cualificado, de acuerdo con todos los códigos y normativas eléctricas y de construcción nacionales y locales. Asegúrese de que el sistema esté desconectado de la corriente antes de la instalación. Revise los planos eléctricos y lea todas las instrucciones de instalación antes de la instalación. El incumplimiento de las siguientes instrucciones de instalación anulará la garantía y podría provocar lesiones graves o incluso la muerte. Debido al constante desarrollo de nuestros productos, consulte nuestro sitio web ([www.modalight.com](http://www.modalight.com)) para obtener la guía de instalación más actualizada.

L'installation doit être effectuée par un électricien qualifié, conformément à tous les codes et réglementations électriques et de construction nationaux et locaux. Assurez-vous que le système est hors tension avant l'installation. Consultez les plans électriques et lisez toutes les instructions d'installation avant l'installation. Le non-respect des instructions d'installation suivantes annulera la garantie et peut entraîner des blessures graves, voire mortelles. Nos produits étant en constante évolution, veuillez consulter notre site web ([www.modalight.com](http://www.modalight.com)) pour obtenir le guide d'installation le plus récent.

**2** Verify electrical plan and ensure all hardware is present  
Verificar plan electrico y verifique que todo el equipo esté presente  
Vérifier le plan électrique et assurer que tout le matériel est présent

DRY/DAMP LOCATION INSTALL  
INSTALACIÓN DE LUGARES SECOS/HÚMEDOS  
INSTALLATION EMPLACEMENT SEC/HUMIDE



MAX CONTINUOUS RUN

Product	120V AC	Mix of Fixtures (120V AC)	277V AC	Mix of Fixtures (277V AC)
Moda Interior 0-10V 1ft Low Output	50ft	50	75ft	75
Moda Interior 0-10V 4ft Low Output	300ft		300ft	
Moda Interior 0-10V 1ft Low Output Plus	45ft	35	65ft	65
Moda Interior 0-10V 4ft Low Output Plus	140ft		260ft	
Moda Interior 0-10V 1ft Low Output Plus Plus	40ft	25	55ft	55
Moda Interior 0-10V 4ft Low Output Plus Plus	100ft		220ft	
Moda Interior 0-10V 1ft Standard Output	35ft	15	45ft	40
Moda Interior 0-10V 4ft Standard Output	60ft		160ft	
Moda Interior 0-10V 1ft Standard Output Plus	30ft	12	35ft	35
Moda Interior 0-10V 4ft Standard Output Plus	48ft		140ft	
Moda Interior 0-10V 1ft Standard Output Plus Plus	25ft	10	35ft	25
Moda Interior 0-10V 4ft Standard Output Plus Plus	40ft		100ft	

**NOTE:** Only use a sink control system. Each electrical connection from fixture to fixture draws 1mA of power. Check for mA restrictions on your chosen 0-10V control system. A 50mA limit will restrict your run to 50 x 1ft fixtures.

POWER CONSUMPTION

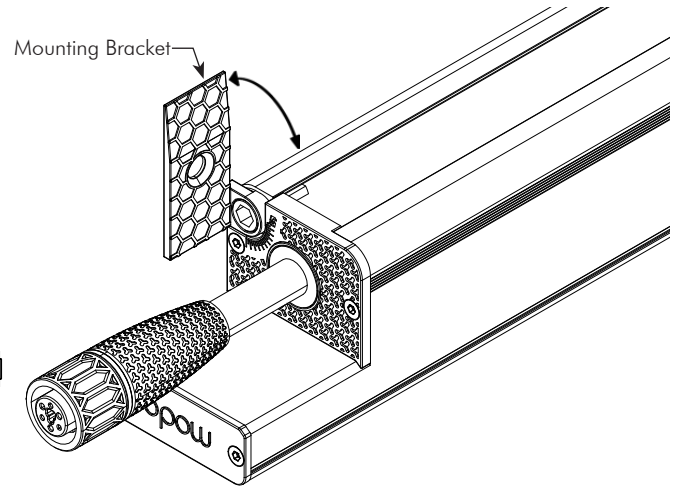
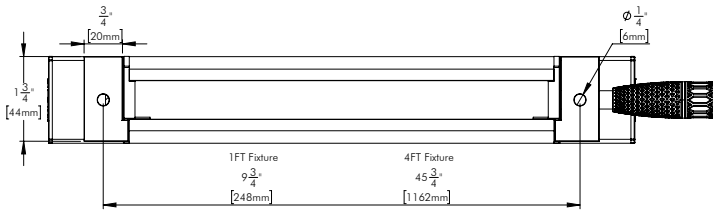
Product	1ft @ 120V	1ft @ 277V	4ft @ 120V	4ft @ 277V
Moda Interior 0-10V Low Output	2.0W	2.5W	7.4W	9.5W
Moda Interior 0-10V Low Output Plus	4.0W	4.6W	14.8W	17.5W
Moda Interior 0-10V Low Output Plus Plus	6.0W	6.5W	22.2W	24.7W
Moda Interior 0-10V Standard Output	8.0W	8.4W	29.6W	31.9W
Moda Interior 0-10V Standard Output Plus	9.2W	9.7W	34.0W	36.9W
Moda Interior 0-10V 1ft Standard Output Plus Plus	11.2W	11.6W	41.4W	44.1W

**3** Fixture Mounting  
Artículos fijos Montaje  
Fixation Montage

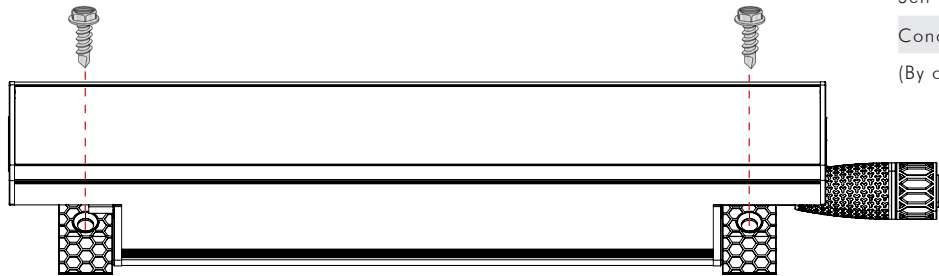
Ensure the mounting surface is level before installing each Moda Interior fixture. Suitable substrates include steel, aluminum, concrete, or wood.

Each Moda Interior fixture is supplied with two integrated swivel mounts for attachment to suitable surfaces. The fixture can be adjusted from vertical to horizontal, with a tilt range of approximately 90° from vertical.

Use hardware, bolts, or screws (supplied by others) that are properly sized for the mounting bracket bases and appropriate for the installation surface.



**4** Mount to surface using the 2 screw holes on the bracket  
Monte a superficie utilizando los 2 agujeros para tornillos en el soporte  
Mont à la surface en utilisant les 2 trous de vis sur le support



Accepts screw sizes

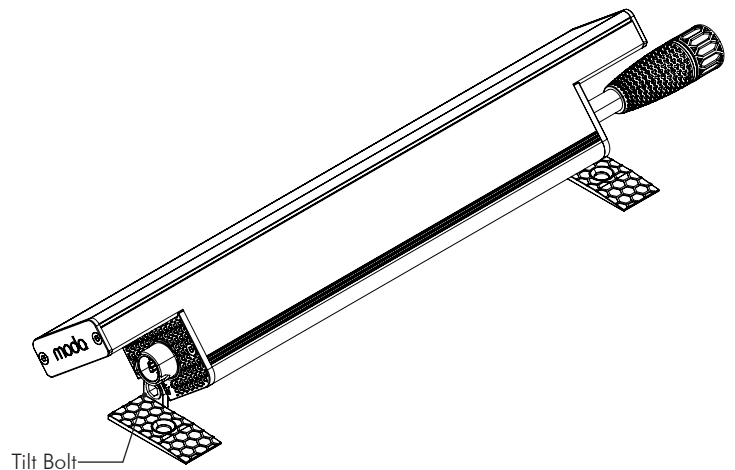
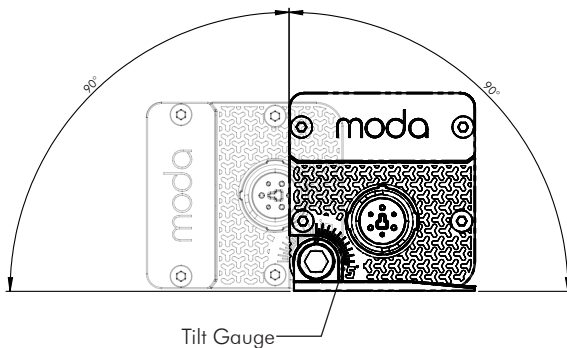
Drywall	#8	#10	#12
Self tapping	#8	#10	#12
Concrete Anchor	3/16"		

(By others)

**5** Fixture Tilt Adjustment  
Ajuste de la inclinación del accesorio  
Réglage de l'inclinaison du luminaire

To adjust the tilt, loosen the bracket tilt bolts located at each end of the fixture using a 4mm Allen wrench. Tilt gauges on both sides of each mount provide accurate angle reference. Once the desired tilt angle is set, tighten the bolts securely to lock the position.

Tilt Gauge: Each mark indicates a 5° increment.



6

**Ground Mounting Arm**

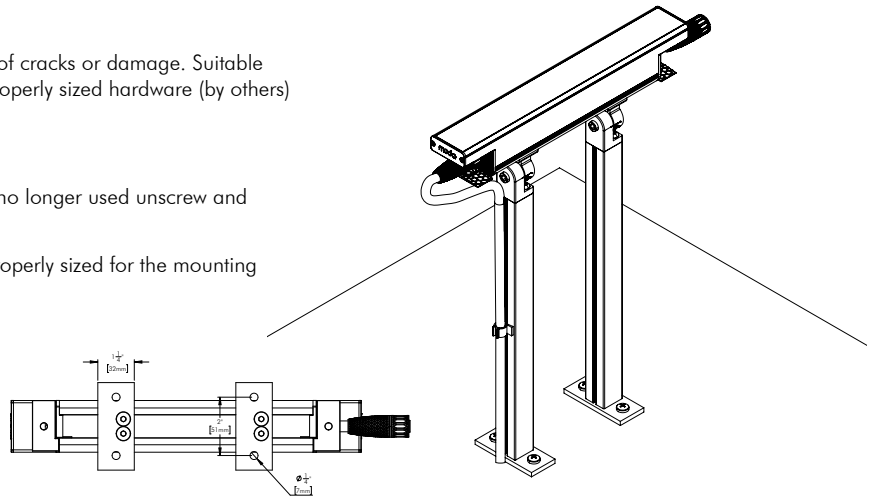
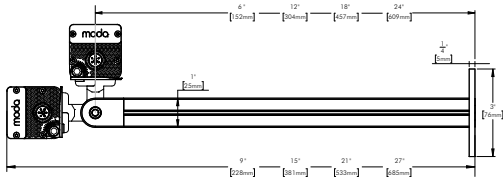
Brazo de montaje en tierra  
Bras de fixation au sol

The installer must ensure the surface is sound, level, and free of cracks or damage. Suitable substrates include steel, aluminum, concrete, or wood. Use properly sized hardware (by others) for the mounting bracket and surface.

The fixture can be adjusted up to 240° for precise positioning.

If the fixture mounting brackets shown in section 4 above are no longer used unscrew and discard them.

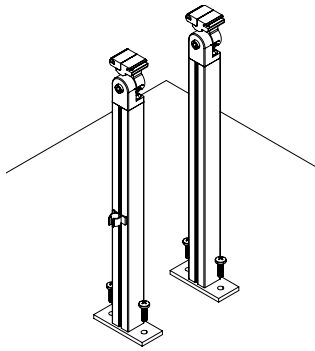
Use hardware, bolts, or screws (supplied by others) that are properly sized for the mounting bracket bases and appropriate for the installation surface.



7

**Mounting Hardware**

Herrajes de montaje  
Matériel de montage



**Mounting Hardware**

Structural Screws	#10	#12	#14
Self tapping	#10	#12	#14
Concrete Anchor	3/16", 1/4"		
Machine Screws	1/4"-20 bolt, M6 nuts, bolts & washers		
Wedge Anchor	1/4"		
Sleeve Anchor	1/4"		
Drop-In Anchor	1/4"		

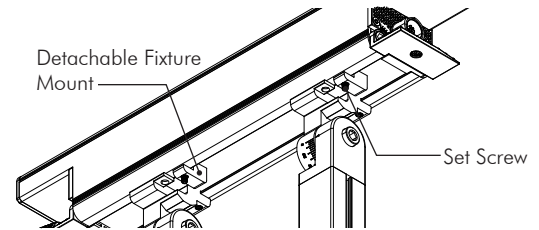
(By others)

8

**Attaching the Fixture to the Ground Mounting Arm**

Fijación del accesorio al brazo de montaje en el suelo  
Fixation du dispositif au bras de montage au sol

The Moda Interior Ground Arm includes two set screws. One side of the mounting bracket can be detached from the arm by loosening the set screw. Once disconnected, the bracket can be attached to the underside of the fixture. After installation, slide the mounting bracket back into the arm. Position the arm in the desired location on the fixture, then tighten the set screws to secure the arm in place.



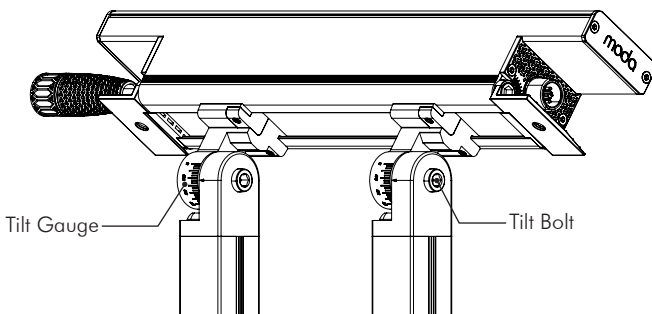
9

**Ground Mounting Arm Tilt Adjustment**

Ajuste de la inclinación del brazo de montaje en el suelo  
Réglage de l'inclinaison du bras de fixation au sol

To adjust the tilt, loosen the bracket tilt bolts located on the side of the bracket using an M5 (5mm) Allen wrench. Tilt gauges on the side of each mount provide accurate angle reference. Once the desired tilt angle is set, tighten the bolt securely to lock the position.

Tilt Gauge: Each mark indicates a 5° increment.



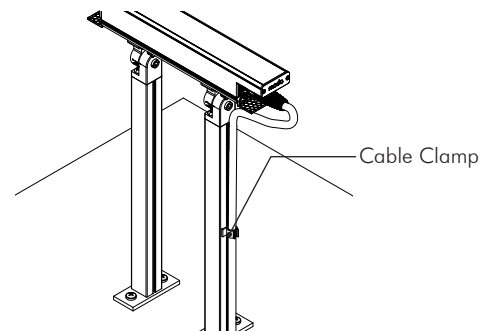
10

**Cable Clamp**

Abrazadera para cables  
Serre-câble

The Moda Interior Ground Mounting Arm includes cable clamps that attach to the extruded channel on either side of the arm. The number of cable clamps provided will vary depending on the length of the arm.

Cable Clamp Quantity	Mounting Arm Length			
	6in	12in	18in	24in
	1	2	3	4



11

Pendant Mounting Arm

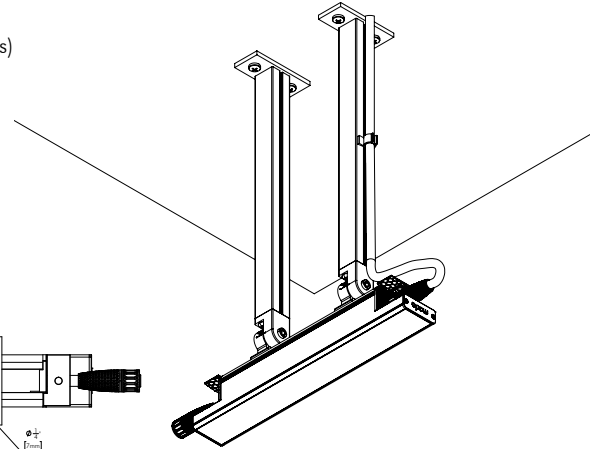
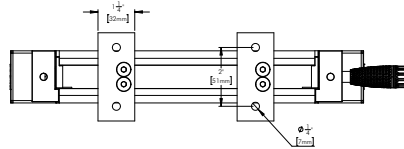
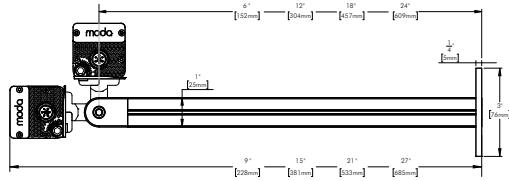
Brazo de montaje colgante  
Bras de fixation pour luminaire suspendu

The installer must ensure the surface is sound, level, and free of cracks or damage. Suitable substrates include steel, aluminum, concrete, or wood. Use properly sized hardware (by others) for the mounting bracket and surface.

The fixture can be adjusted up to 240° for precise positioning.

If the fixture mounting brackets shown in section 4 above are no longer used unscrew and discard them.

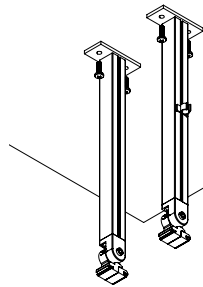
Use hardware, bolts, or screws (supplied by others) that are properly sized for the mounting bracket bases and appropriate for the installation surface.



12

Mounting Hardware

Herrajes de montaje  
Matériel de montage



Mounting Hardware

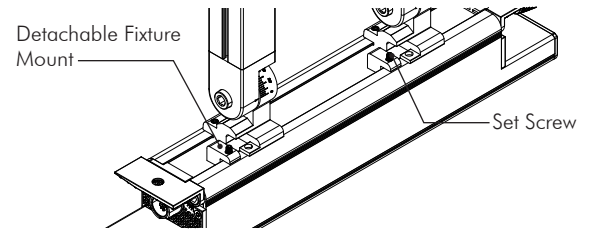
Structural Screws	#10	#12	#14
Self tapping	#10	#12	#14
Concrete Anchor	3/16", 1/4"		
Machine Screws	1/4"-20 bolt, M6 nuts, bolts & washers		
Wedge Anchor	1/4"		
Sleeve Anchor	1/4"		
Drop-In Anchor	1/4"		
	(By others)		

13

Attaching the Fixture to the Pendant Mounting Arm

Fijación de la luminaria al brazo de montaje colgante  
Fixation du luminaire au bras de montage suspendu

The Moda Interior Pendant Arm includes two set screws. One side of the mounting bracket can be detached from the arm by loosening the set screw. Once disconnected, the bracket can be attached to the underside of the fixture. After installation, slide the mounting bracket back into the arm. Position the arm in the desired location on the fixture, then tighten the set screws to secure the arm in place.



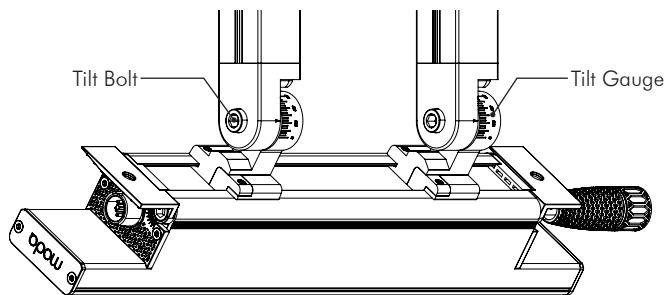
14

Pendant Mounting Arm Tilt Adjustment

Ajuste de inclinación del brazo de montaje colgante  
Réglage de l'inclinaison du bras de montage suspendu

To adjust the tilt, loosen the bracket tilt bolts located on the side of the bracket using an M5 (5mm) Allen wrench. Tilt gauges on the side of each mount provide accurate angle reference. Once the desired tilt angle is set, tighten the bolt securely to lock the position.

Tilt Gauge: Each mark indicates a 5° increment.



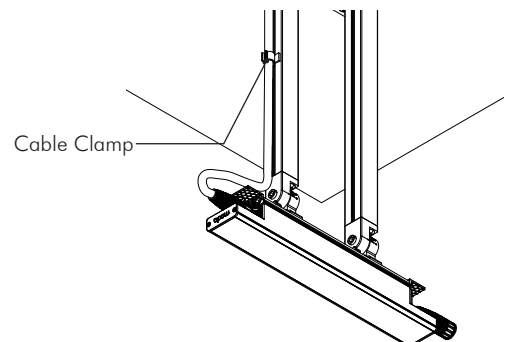
15

Cable Clamp

Abrazadera para cables  
Serre-câble

The Moda Interior Pendant Mounting Arm includes cable clamps that attach to the extruded channel on either side of the arm. The number of cable clamps provided will vary depending on the length of the arm.

Cable Clamp Quantity	Mounting Arm Length			
	6in	12in	18in	24in
	1	2	3	4



16

**Wall Mounting Arm**

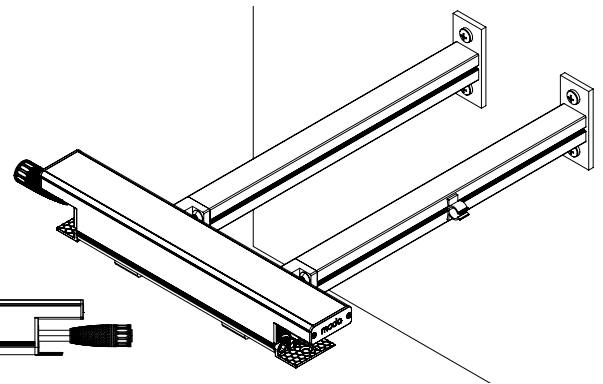
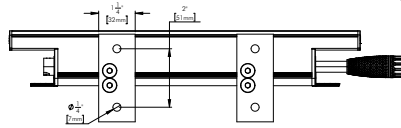
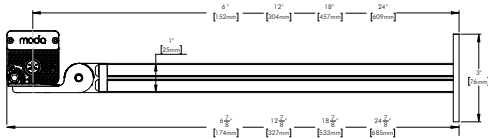
Brazo de montaje en pared  
Bras de fixation murale

The installer must ensure the surface is sound, level, and free of cracks or damage. Suitable substrates include steel, aluminum, concrete, or wood. Use properly sized hardware (by others) for the mounting bracket and surface.

The fixture can be adjusted up to 180° for precise positioning.

If the fixture mounting brackets shown in section 4 above are no longer used unscrew and discard them.

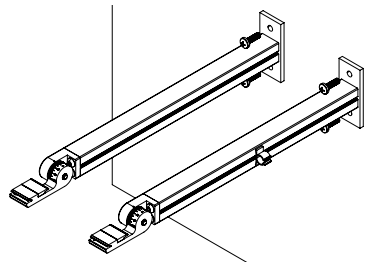
Use hardware, bolts, or screws (supplied by others) that are properly sized for the mounting bracket bases and appropriate for the installation surface.



17

**Mounting Hardware**

Herrajes de montaje  
Matériel de montage



**Mounting Hardware**

Structural Screws	#10 #12 #14
Self tapping	#10 #12 #14
Concrete Anchor	3/16", 1/4"
Machine Screws	M6 nuts, bolts & washers
Wedge Anchor	1/4"
Sleeve Anchor	1/4"
Drop-In Anchor	1/4"

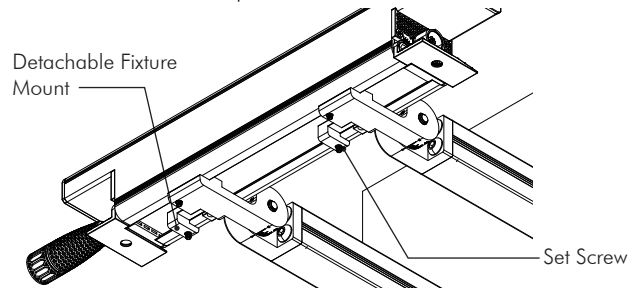
(By others)

18

**Attaching the Fixture to the Wall Mounting Arm**

Cómo fijar el accesorio al brazo de montaje en pared  
Fixation du dispositif au bras de fixation murale

The Moda Interior Wall Arm includes two set screws. One side of the mounting bracket can be detached from the arm by loosening the set screw. Once disconnected, the bracket can be attached to the underside of the fixture. After installation, slide the mounting bracket back into the arm. Position the arm in the desired location on the fixture, then tighten the set screws to secure the arm in place.



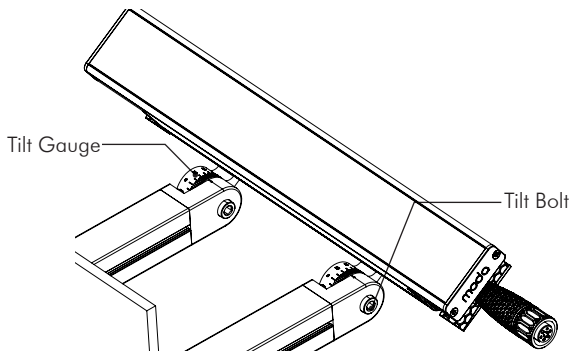
19

**Ground Mounting Arm Tilt Adjustment**

Ajuste de la inclinación del brazo de montaje en el suelo  
Réglage de l'inclinaison du bras de fixation au sol

To adjust the tilt, loosen the bracket tilt bolts located on the side of the bracket using an M5 (5mm) Allen wrench. Tilt gauges on the side of each mount provide accurate angle reference. Once the desired tilt angle is set, tighten the bolt securely to lock the position.

Tilt Gauge: Each mark indicates a 5° increment.



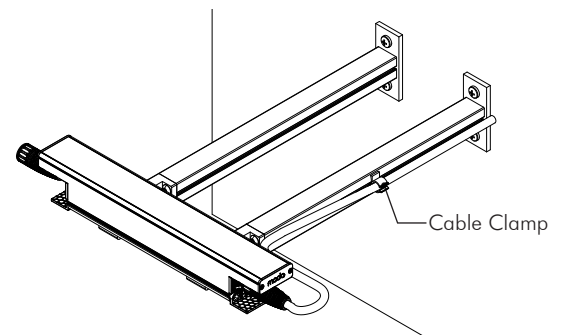
20

**Cable Clamp**

Abrazadera para cables  
Serre-câble

The Moda Interior Wall Mounting Arm includes cable clamps that attach to the extruded channel on either side of the arm. The number of cable clamps provided will vary depending on the length of the arm.

Cable Clamp Quantity	Mounting Arm Length			
	6in	12in	18in	24in
	1	2	3	4



21

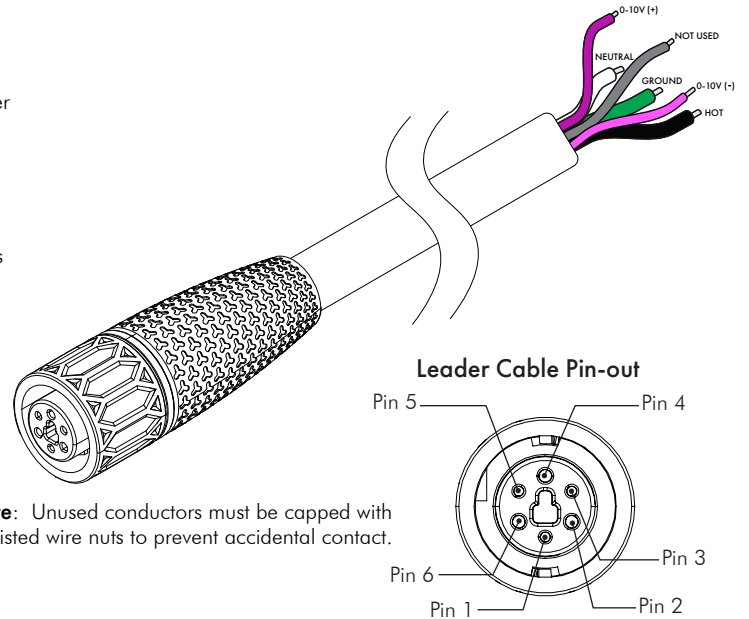
Leader Cable Wiring

Cableado de cables líderes  
Câblage de câble leader

Moda Interior fixtures utilize proprietary 6-way connectors for both power and 0–10V control. Connector placement at each end of the fixture allows direct end-to-end connection without the need for additional link cables.

Leader cables, available separately in 10ft, 25ft and 50ft lengths, provide both power and control connections. The wiring configuration is as follows:

	UL/cUL	Pinout
Live 100-277V	Black	4
Neutral	White	6
Ground	Green	2
0-10V (+)	Purple	3
0-10V (-)	Pink	5
Not Used	Grey	1



**Note:** Unused conductors must be capped with UL-listed wire nuts to prevent accidental contact.

22

Fixture to Fixture Connection

Conexión de accesorio a accesorio  
Connexion d’appareil à appareil

Each Moda Interior fixture is equipped with a male input plug on one end and a female output socket on the other. For end-to-end installations, the input plug of one fixture connects directly to the output socket of the preceding fixture.

If spacing is required between fixtures, optional jumper cables are available to bridge the gap.

**Step 1:** Align the male and female connector.

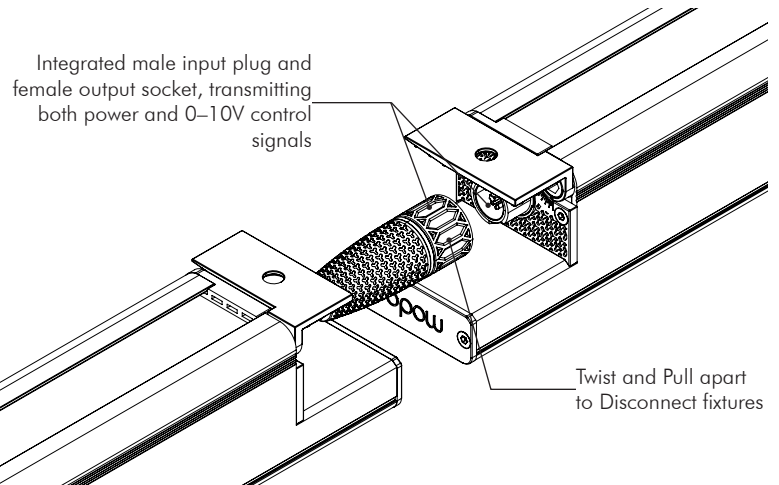
Paso 1: Alinear el conector macho con hembra.

Étape 1: Alignez le connecteur mâle et femelle.

**Step 2:** Push connection together (listen for the “click” that confirms a full connection)

Paso 1: Empuje la conexión para unirla (escuche el “clic” que confirma una conexión completa)

Étape 1: Appuyez sur la connexion ensemble (écoutez le « clic » qui confirme une connexion complète)



23

Fixture to Fixture Disconnect

Desconexión de accesorio a accesorio  
Déconnexion d’un appareil à l’autre

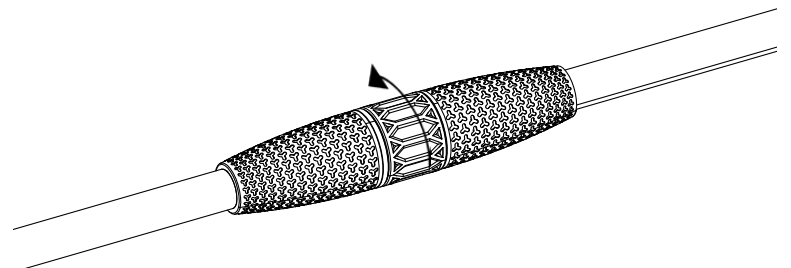
Twist the connector slightly and carefully separate the cables.

Gire ligeramente el conector y separe con cuidado los cables.

Tournez légèrement le connecteur et séparez soigneusement les câbles.

**WARNING!**

Ensure system is fully de-energized before connecting or disconnecting. “Hot plug” connections can result in a power surge which can destroy the entire run of fixtures.



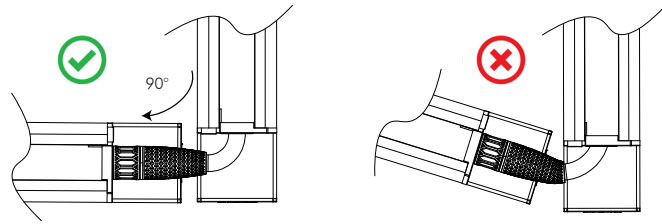
24

**Curved Layouts**

Diseños curvos  
Dispositions courbes

Each fixture has a short power/signal input cable that can extend to simplify connection or disconnection, while also allowing limited angular adjustment of up to 90° between adjacent units.

Avoid placing strain on the cable when making connections. For larger gaps or wider angles, use the optional jumper cables.



25

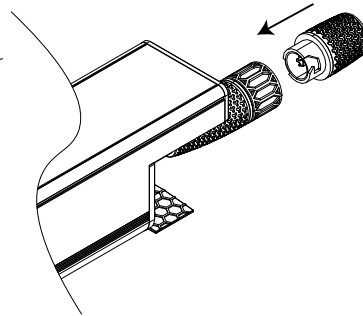
**Final Fixture Termination**

Terminación del último partido  
Fin du match final

At the final fixture in the run, always install the terminator cap on the output connector to ensure the live contacts are safely protected.

**Step 1:** Align the male and female connector.  
Paso 1: Alinear el conector macho con hembra.  
Étape 1: Alignez le connecteur mâle et femelle.

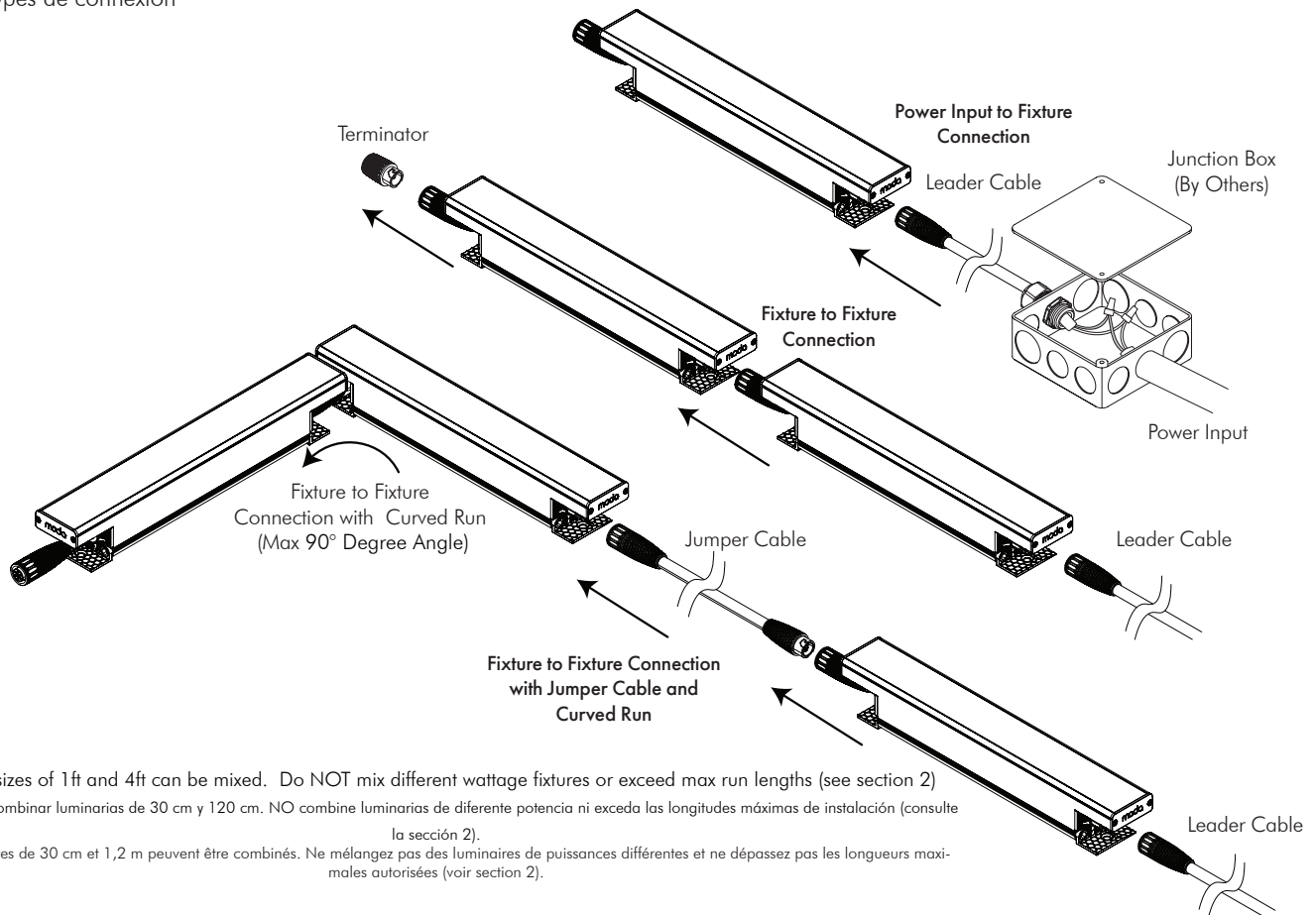
**Step 2:** Push connection together (listen for the “click” that confirms a full connection)  
Paso 1: Empuje la conexión para unirla (escuche el “clic” que confirma una conexión completa)  
Étape 1: Appuyez sur la connexion ensemble (écoutez le « clic » qui confirme une connexion complète)



26

**Connection types**

Tipos de conexiones  
Types de connexion



Fixture sizes of 1ft and 4ft can be mixed. Do NOT mix different wattage fixtures or exceed max run lengths (see section 2)

Se pueden combinar luminarias de 30 cm y 120 cm. NO combine luminarias de diferente potencia ni exceda las longitudes máximas de instalación (consulte la sección 2).

Les luminaires de 30 cm et 1,2 m peuvent être combinés. Ne mélangez pas des luminaires de puissances différentes et ne dépassez pas les longueurs maximales autorisées (voir section 2).

27

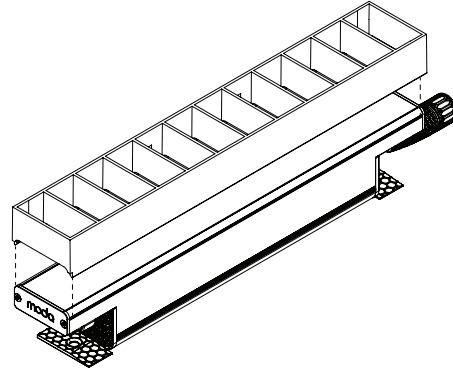
Attach Optional Louver

Adjuntar rejilla opcional  
Fixer une persienne en option

**Step 1:** Attach optional louver to the top of the fixture until it clicks into place. Use four of these louvers for four foot fixtures.

Paso 1: Coloque la rejilla opcional en la parte superior de la luminaria hasta que encaje. Use cuatro rejillas para luminarias de cuatro pies.

Étape 1 : Fixez la grille optionnelle sur le dessus du luminaire jusqu'à ce qu'elle s'enclenche. Utilisez quatre de ces grilles pour les luminaires de 1,20 m.



28

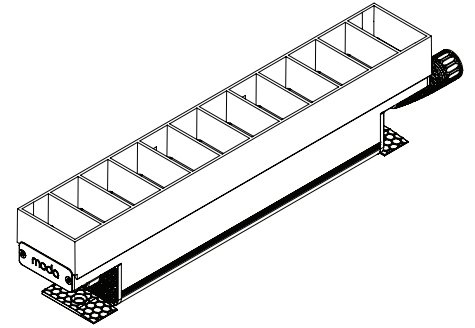
Detach Optional Louver

Desmontar la rejilla opcional  
Détacher la persienne en option

**Step 1:** Working along one side of the louver, use a small flat-blade screwdriver to carefully release the louver from the fixture. Apply slight outward pressure on the louver side as you progress to prevent it from snapping back into place.

Paso 1: Trabajando a lo largo de un lado de la persiana, use un destornillador pequeño de punta plana para soltarla con cuidado del soporte. Aplique una ligera presión hacia afuera en el lado de la persiana a medida que avanza para evitar que vuelva a su lugar.

Étape 1 : En travaillant le long d'un côté de la grille, utilisez un petit tournevis plat pour la détacher délicatement du luminaire. Exercez une légère pression vers l'extérieur sur le côté de la grille au fur et à mesure de la progression pour éviter qu'elle ne se remette en place.



29

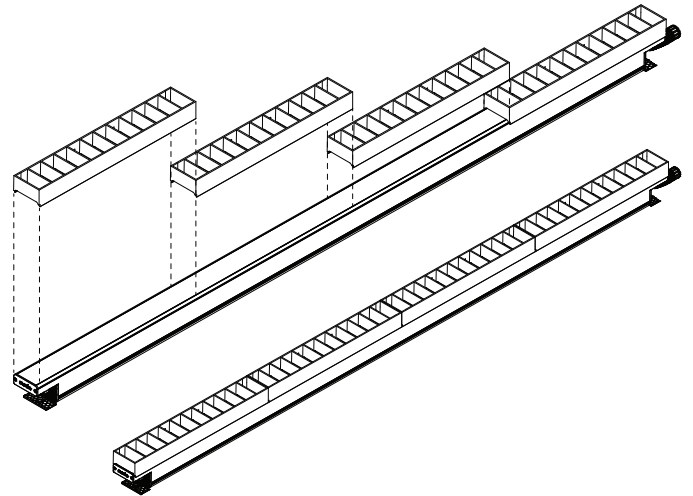
Attach Optional Louver with 4ft Fixtures

Conecte la rejilla opcional con accesorios 4ft  
Fixez le volet en option avec les luminaires 4ft

Louvers are supplied in 1ft (304 mm) sections. A total of four sections are needed to fully cover a 4ft fixture.

Las rejillas se suministran en secciones de 304 mm (1 pie). Se necesitan cuatro secciones para cubrir completamente una luminaria de 1,22 m (4 pies).

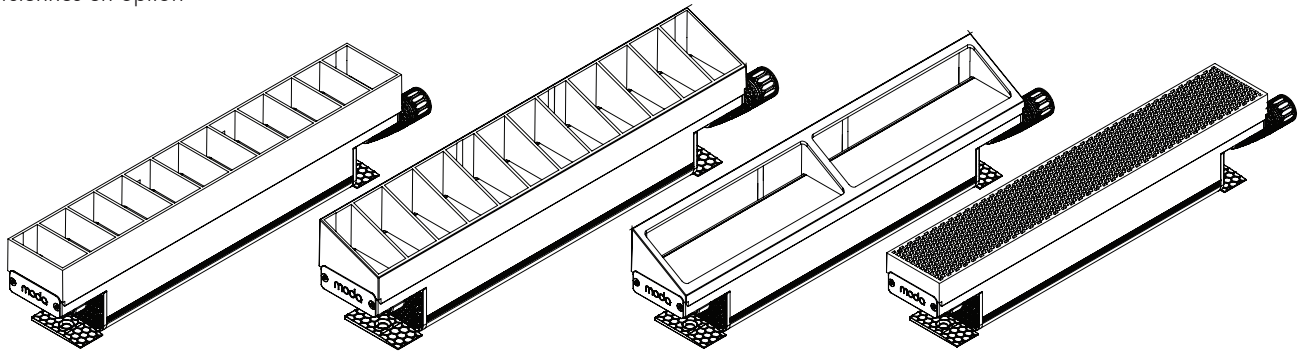
Les persiennes sont fournies en sections de 304 mm (1 pi). Quatre sections sont nécessaires pour couvrir entièrement un luminaire de 1,2 m (4 pi).



30

Optional Louvers

Rejillas opcionales  
Persiennes en option



Symmetric Louver  
MSL-I-1ft-\*

Asymmetric Louver  
MAL-I-1ft-\*

Visor Louver  
MVL-I-1ft-B

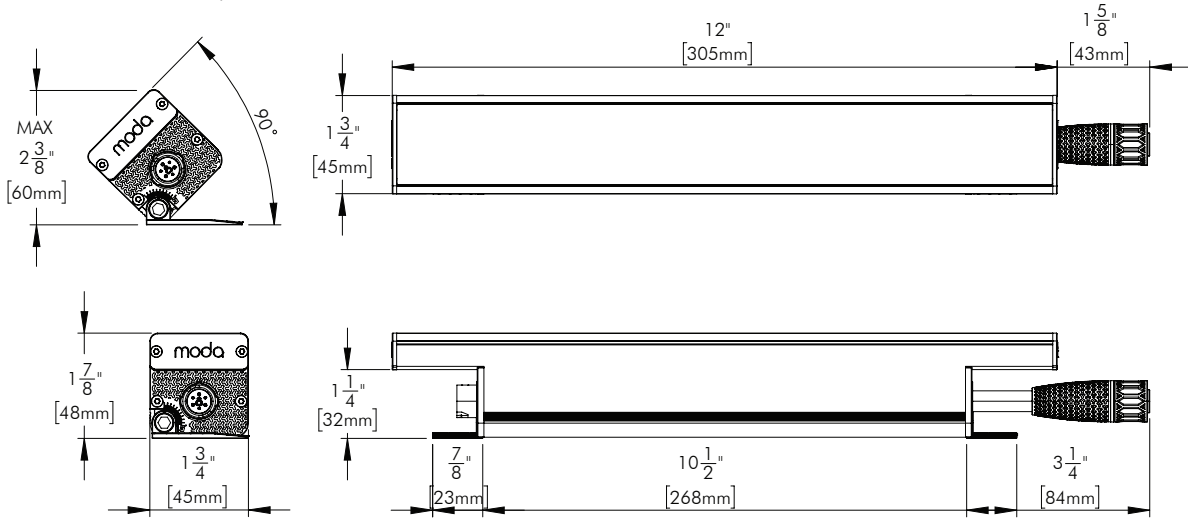
Honeycomb Louver  
MHL-I-1ft-B

\* - Louver available in Black or White

31

Dimensions – 1ft Fixture

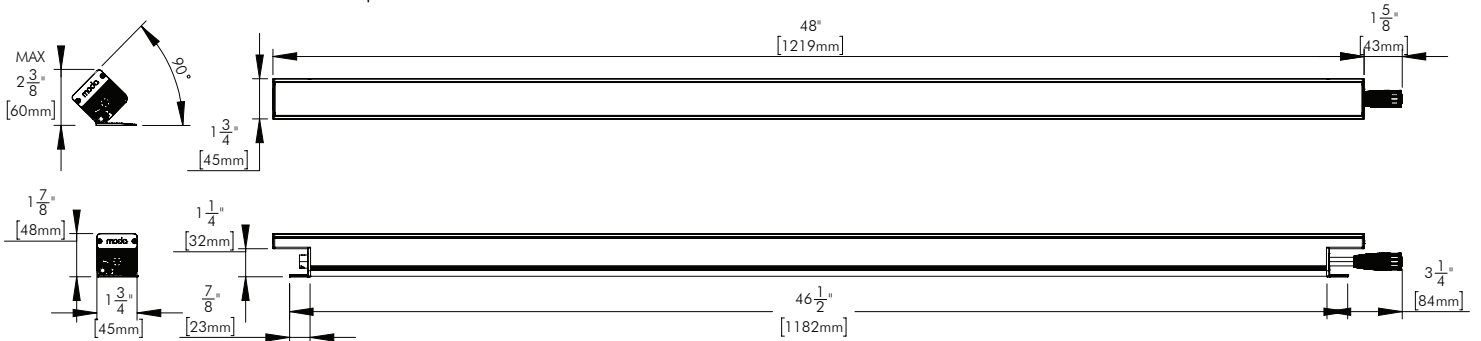
Dimensiones – Accesorio de 1 pie  
Dimensions – Luminaire de 1 pi



32

Dimensions – 4ft Fixture

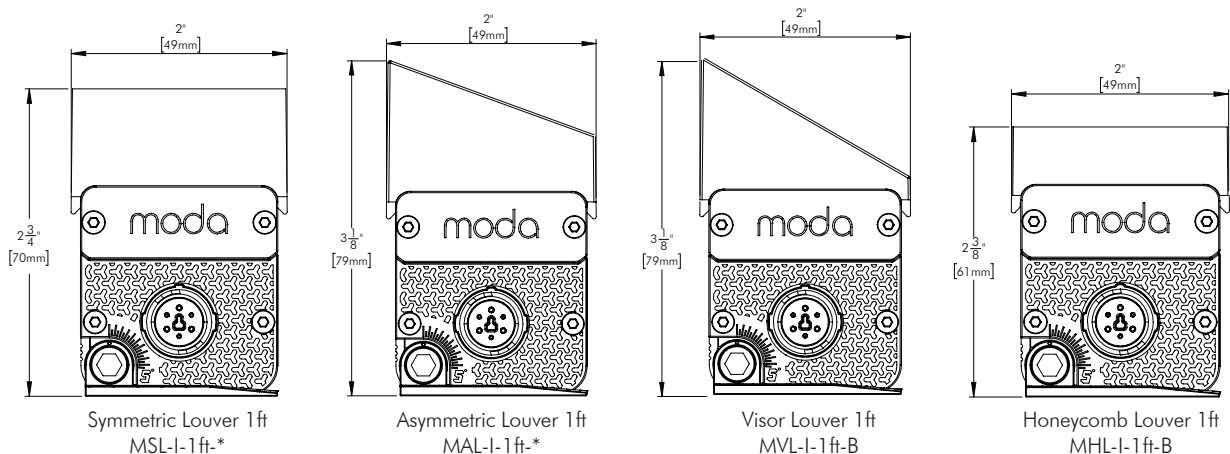
Dimensiones – Luminaria de 4 pies  
Dimensions – Luminaire de 4 pieds



33

Dimensions – With Optional Louvers

Dimensiones – Luminaria de 4 pies  
Dimensions – Luminaire de 4 pieds

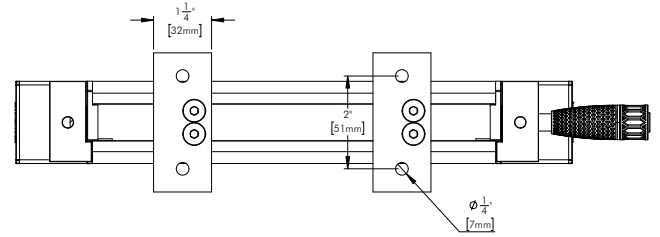
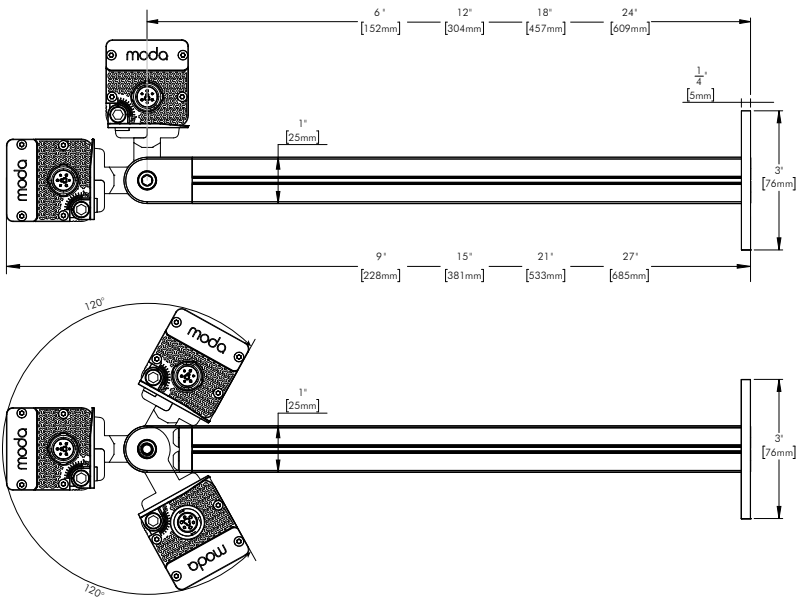


\* - Louver available in Black or White

34

Ground and Pendant Mounting Arm Dimensions

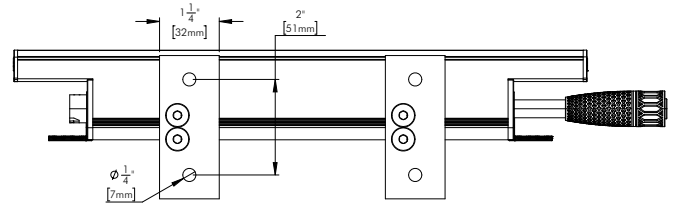
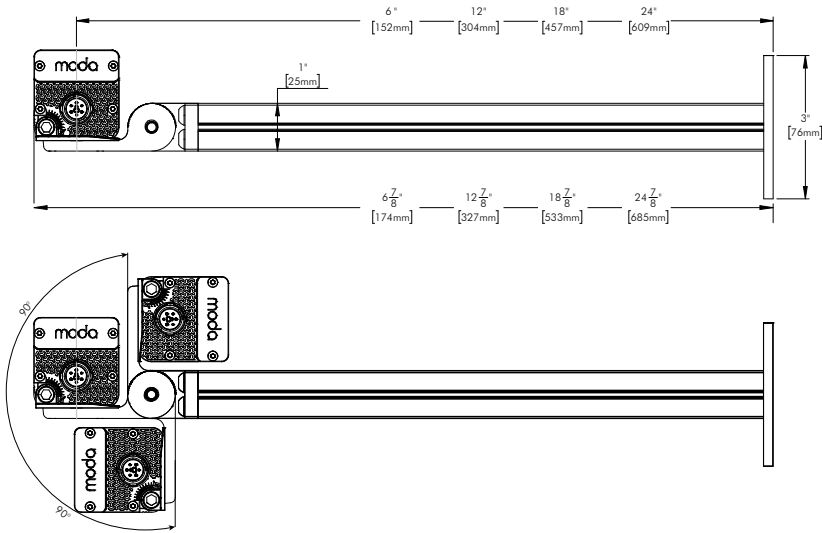
Dimensiones del brazo de montaje en tierra  
Dimensions du bras de fixation au sol



35

Wall Mounting Arm Dimensions

Dimensiones del brazo de montaje en pared  
Dimensions du bras de fixation murale



36

**Quick Installation Tips**

Consejos rápidos para la instalación  
Conseils d'installation rapides

1. **Setback:** ~1/3 of wall height for smooth vertical coverage.
2. **Orientation:** Ensure beam faces the wall; asymmetric optics should tilt upward if indicated.
3. **Continuous runs:** Recommended for uniform wash; avoid gaps.
4. **Spacing:** Adjust according to beam angle—narrow beams need tighter spacing.
5. **Mock-up:** Always perform an on-site test for critical applications to account for wall color, texture, and reflectance.

36A

**Wall Washer Installation Guidelines**

Pautas de instalación para bañadores de pared  
Directives d'installation pour projecteurs muraux

**Beam Angles:** 25°×25°; 25°×33°; 25°×45°; 25°×60°; 25°×70°; 30°×25°; 30°×30°; 30°×35°; 30°×40°; 30°×60°; 35°×20°; 35°×25°; 35°×35°; 35×65°; 40°×30°; 40°×40°; 40°×60°; 40°×65°; 45°×35°; 45°×55°; 45°×60°; 60°×25°; 60°×60°; 60°×70°; 65°×20°; 70°×25°; 70°×40°; 70°×70°; 100°×100°

These fixtures are designed for smooth, uniform wall illumination, ideal for both interior and exterior surfaces. Proper spacing, setback, and orientation are key to minimizing scalloping and achieving clean wall washing.

36B

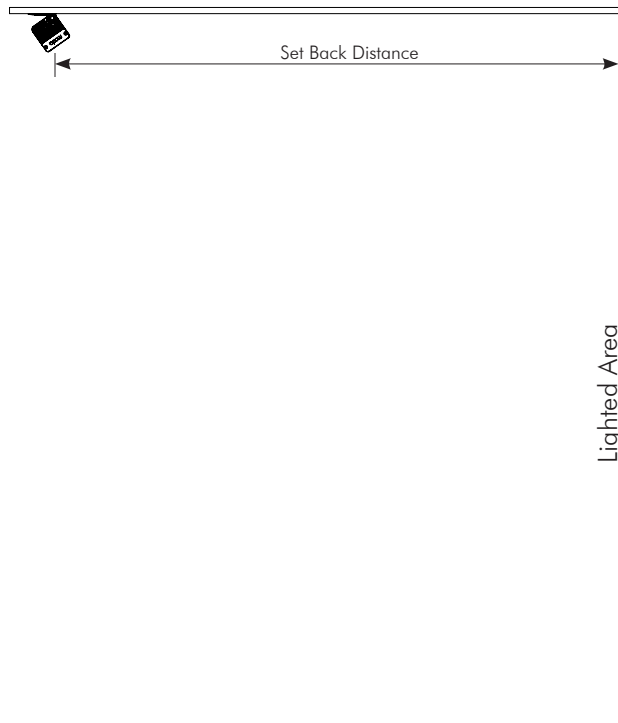
**Fixture Setback**

Retranqueo de la luminaria  
Recul de l'appareil

- Recommended setback is approximately 1/3 of wall height.
- Narrow vertical beams (25°–30°) may require slightly closer placement for even coverage.
- Wide beams (60°–100°) allow greater spacing while maintaining uniformity.

**Example**

Wall Height	Typical Setback
10 ft	~3 ft
12 ft	~4 ft
15 ft	~5 ft



36C

**Fixture Orientation**

Orientación de la luminaria  
Orientation du luminaire

- Wall washers should be mounted facing the wall to maximize vertical coverage.
- Many optics are asymmetric (Not AxA but AxB); ensure tilt (if any) directs light up the wall for consistent top-to-bottom illumination.
- Correct orientation prevents hot spots or uneven wash.

36D Fixture Layout & Spacing

Distribución y espaciado de las luminarias  
Disposition et espacement des luminaires

- For 1-ft fixtures, spacing is tight, typically less than the fixture length to maintain overlap and eliminate scalloping.
- For 4-ft fixtures, install end-to-end in continuous runs. If center-to-center spacing is less than the fixture length, partial overlap is normal and improves uniformity.
- Narrow horizontal beams require closer spacing; wider beams allow greater spacing.

1 ft Fixture Layout and Spacing



4ft Fixture Layout and Spacing



36E Practical Fixture Spacing (Center-to-Center)

Separación práctica de luminarias (de centro a centro)  
Espacement pratique des luminaires (entraxe)

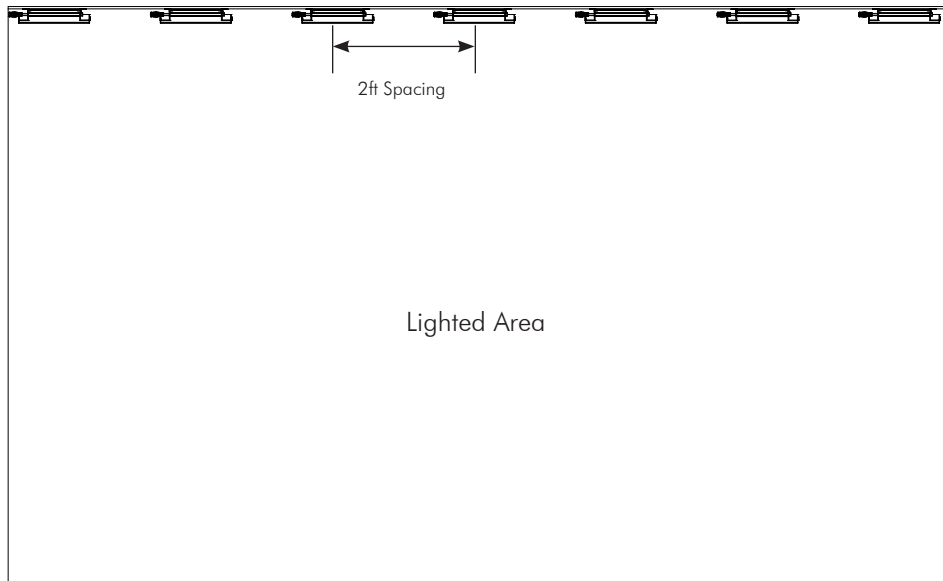
Beam Angle	1-ft Fixture Spacing	4-ft Fixture Spacing
25×25	1.2-1.5 ft	1.5-1.8 ft
25×33	1.4-1.6 ft	1.8-2.0 ft
25×45	1.5-1.8 ft	2.0-2.2 ft
25×60	1.8-2.0 ft	2.2-2.5 ft
25×70	2.0-2.2 ft	2.5-2.7 ft
30×25	1.2-1.5 ft	1.5-1.8 ft
30×30	1.5-1.7 ft	2.0-2.2 ft
30×35	1.7-1.9 ft	2.0-2.3 ft
30×40	1.8-2.0 ft	2.2-2.5 ft
30×60	2.0-2.3 ft	2.5-3.0 ft
35×20	1.0-1.2 ft	1.5-1.8 ft
35×25	1.2-1.5 ft	1.5-1.8 ft
35×35	1.7-1.9 ft	2.0-2.3 ft
35×65	2.2-2.5 ft	3.0-3.2 ft
40×30	1.5-1.7 ft	2.0-2.3 ft

Beam Angle	1-ft Fixture Spacing	4-ft Fixture Spacing
40×40	1.8-2.0 ft	2.2-2.5 ft
40×60	2.0-2.3 ft	2.5-3.0 ft
40×65	2.2-2.5 ft	3.0-3.2 ft
45×35	1.7-2.0 ft	2.2-2.5 ft
45×55	2.0-2.3 ft	2.5-3.0 ft
45×60	2.2-2.5 ft	2.7-3.2 ft
60×25	1.2-1.5 ft	1.5-1.8 ft
60×60	2.2-2.5 ft	2.7-3.0 ft
60×70	2.5-2.8 ft	3.0-3.5 ft
65×20	1.0-1.2 ft	1.5-1.8 ft
70×25	1.2-1.5 ft	1.5-1.8 ft
70×40	1.8-2.0 ft	2.2-2.5 ft
70×70	2.5-2.8 ft	3.0-3.5 ft
100×100	4-5 ft	5-6 ft

These spacings assume smooth wall washing, minimal scalloping, and a typical setback of 1/3 wall height.

**On-Site Mock-up: Always perform an on-site test for critical applications to account for wall color, texture, and reflectance. This information is for guidance only.**

Example of the Practical Spacing with a Moda Interior 30x60 fixtures with 2.0-2.3 ft spacing



## SPECIFICATIONS

### PHYSICAL

<b>Dimensions</b>	L: 12 in (304mm)	W: 1 3/4in (45mm)
	L: 48in (1219mm)	H: 1 7/8in (48mm)
<b>Weight</b>	12in: 0.8lbs (0.3kg)	
	48in: 2.8lbs (1.3kg)	
<b>Construction</b>	6063 Aluminum Body, Die-cast Zinc Integral Fixings, Nylon End Caps and Polycarbonate Optical Lens	
<b>Finish</b>	Anodized Silver body with black caps & fixing brackets	
<b>Ingress Protection</b>	Dry / Damp Location - IP54	
<b>Impact Rating</b>	IK07	
<b>Adjustment</b>	Integral locking, fluid adjustment up to 90°	
<b>Storage Temperature</b>	-13°F to 122°F (-25°C - 50°C)	
<b>Start-up Temperature</b>	-4°F to 122°F (-20°C - 50°C)	
<b>Operating Temperature</b>	-4°F to 122°F (-20°C - 50°C)	

### ELECTRICAL

<b>Input Voltage</b>	100-277V AC 50Hz/60Hz
<b>Power Factor</b>	0.99 @ 120V 0.92 @ 277V
<b>Control</b>	0-10V down to 1%

### MODA GRAZE INTERIOR

<b>CCT</b>	2200K, 2400K, 2700K, 3000K, 3500K, 4000K
<b>Beam Angle</b>	10°x10°; 10°x15°; 10°x20°; 10°x30°; 15°x15°; 15°x20°; 15°x25°; 15°x30°; 17°x17°; 17°x35°; 17°x65°; 20°x20°; 20°x25°; 20°x30°; 20°x60°; 20°x70°; 22°x30°
<b>Applications</b>	Architectural and Textured Walls, Interior Building Facades, Interior Accent Walls, Columns and Vertical Elements, Hospitality, Retail, and Public Spaces

### MODA COVE INTERIOR

<b>CCT</b>	2200K, 2400K, 2700K, 3000K, 3500K, 4000K
<b>Beam Angle</b>	120°x120°
<b>Applications</b>	Coves, Indirect Ceiling lighting, Floating ceilings, Soffits, Ambient architectural lighting, Retail and Commercial lighting, Soft Decorative and accents.

### MODA ASYMMETRIC WASH INTERIOR

<b>CCT</b>	2200K, 2400K, 2700K, 3000K, 3500K, 4000K
<b>Beam Angle</b>	25°x40°x5°, 30°x60°x10°, 25°x50°x5°
<b>Applications</b>	Wall, ceiling, floor washing, cove and indirect illumination

### OUTPUT LED DATA

<b>SDCM</b>	2-Step MacAdam Ellipse
<b>Color Bin Tolerance</b>	Zero Bin
<b>CRI</b>	>95
<b>CQS</b>	>96
<b>Lumen Maintenance</b>	60,000 Hours L70 @ 25°C 50,000 Hours L70 @ 50°C
<b>Testing Data</b>	Light Data LM-79-08 & LM-80-08

### STANDARDS & CERTIFICATIONS



<b>Certification</b>	Tested to UL & CSA by Intertek For Use in USA & CANADA. CE & RoHS Compliant.
<b>Class</b>	1
<b>Warranty</b>	5 Year Limited Warranty

### MODA WASH INTERIOR

<b>CCT</b>	2200K, 2400K, 2700K, 3000K, 3500K, 4000K
<b>Beam Angle</b>	25°x25°; 25°x33°; 25°x45°; 25°x60°; 25°x70°; 30°x25°; 30°x30°; 30°x35°; 30°x40°; 30°x60°; 35°x20°; 35°x25°; 35°x35°; 35°x65°; 40°x30°; 40°x40°; 40°x60°; 40°x65°; 45°x35°; 45°x55°; 45°x60°; 60°x25°; 60°x60°; 60°x70°; 65°x20°; 70°x25°; 70°x40°; 70°x70°; 100°x100°
<b>Applications</b>	Wall, ceiling, floor washing, cove and indirect illumination

### MODA NARROW ASYMMETRIC INTERIOR

<b>CCT</b>	2200K, 2400K, 2700K, 3000K, 3500K, 4000K
<b>Beam Angle</b>	15°x40°x10°; 20°x55°x10°
<b>Applications</b>	Architectural and textured walls, Interior building facades, Interior accent walls, Columns and vertical elements, Hospitality, retail, and public spaces

### MODA WIDE ASYMMETRIC INTERIOR

<b>CCT</b>	2200K, 2400K, 2700K, 3000K, 3500K, 4000K
<b>Beam Angle</b>	Wide Asymmetric
<b>Applications</b>	Cove, Ceiling and Wall Washing, Floor/ Path lighting, indirect general lighting, retail displays & architectural lighting.

**⚠ De-energize system before connecting or disconnecting product**

Desactive el sistema antes de conectar o desconectar el producto.  
Système hors tension avant de connecter ou de déconnecter le produit

**⚠ Do not attempt to install or use the product until installation is fully read and understood.**

¡No intente instalar o utilizar el producto sin antes leer y comprender las instrucciones.  
Ne tentez pas d'installer ou d'utiliser le produit jusqu'à ce que l'installation est entièrement lu et compris.

**⚠ Do not use the product if lens or power cables are damaged.**

¡No utilice el producto si el lente o cables de energía están defectuosos.  
Ne pas utiliser le produit si l'objectif ou les câbles d'alimentation sont endommagés.

**⚠ Do not use any current or voltages that do not match the product's listed operating voltage / current.**

No utilice ninguna corriente o voltaje que no coincida con el voltaje/ corriente de funcionamiento indicados para el producto.  
N'utilisez pas de courant ou de tension qui ne correspondent pas à la tension/au courant de fonctionnement indiqué pour le produit.

**⚠ Not compatible with voltage step down devices/voltage converters/buck converter.**

No es compatible con dispositivos de reducción de voltaje / convertidores de voltaje / convertidor de buck.  
Non compatible avec les dispositifs abaisseurs de tension / convertisseurs de tension / convertisseur abaisseur.

**⚠ Must be wired on its own dedicated lighting circuit. Do not share the same lighting circuit with motors, fans or computers as this may cause flickering of the fixture.**

Debe conectarse en su propio circuito de iluminación dedicada. No comparta en el mismo circuito de iluminación con motores, ventiladores o computadoras ya que puede causar parpadeo en el equipo.  
Doit être câblé sur son propre circuit d'éclairage dédié. Ne partagent pas le même circuit d'éclairage avec moteurs, des ventilateurs ou des ordinateurs, car cela risquerait de scintillement de l'appareil.

**⚠ Only use compatible 0-10V Controllers.**

Utilice únicamente controladores compatibles de 0 a 10 V.  
Utilisez uniquement des contrôleurs 0-10 V compatibles.

**⚠ Never put power and data in the same conduit or raceway.**

¡Nunca se pudo alimentar ni datos en los mismos cables o conductos.  
Ne mettez jamais la puissance et les données dans le même conduit ou caniveau.

**⚠ There are six (6) distinct outputs. Do not mix outputs, only connect matching output types.**

Hay seis (6) salidas distintas. No mezcle salidas; conecte únicamente las que coincidan.  
Il existe six (6) sorties distinctes. Ne mélangez pas les sorties, connectez uniquement les types de sorties correspondants.

**⚠ If a fixture is not working, please remove from service. Contact Moda Support.**

Si un accesorio no funciona, retírelo del servicio. Contacte con el servicio de asistencia de Moda.  
Si un luminaire ne fonctionne pas, veuillez le retirer du service. Contactez l'assistance Moda.

**⚠ Do not coat the product in paint. This will ruin the product and void warranty.**

No cubra el producto en pintura. Esto va a arruinar el producto y anular la garantía.  
Ne pas enduire le produit dans la peinture. Cela va ruiner le produit et annuler la garantie.

**⚠ Please make sure to install in accordance with the local code.**

Por favor asegúrese de instalar de acuerdo con el código local.  
Faire S'il vous plaît veuillez à installer en conformité avec le code local.

**⚠ No serviceable parts - Do not disassemble.**

No hay piezas reparables - No desamblar.  
Aucune pièce - Ne pas démonter.

**⚠ Do not hot swap fixtures.**

No remplace el producto mientras estén calientes.  
Feds ne cherchez pas produit tout chaud.

**⚠ Do not open fixtures as they are line voltage and could cause a shock.**

No intente abrir el producto ya que contienen líneas de voltaje y podría causar un corto circuito.  
Ne pas essayer d'ouvrir le produit car ils contiennent des lignes de tension podría et provoquer un court-circuit.

**⚠ Must use terminator.**

Se tiene que utilizar terminadores.  
Doit utiliser terminateur.

**⚠ Do not stare into beam.**

No mire fijamente la luz.  
Ne pas regarder le faisceau.

**⚠ Do not connect line voltage to data.**

No conecte el voltaje de línea a los datos.  
Ne pas connecter la tension de ligne aux données.