

Project Name: _____ SKU: _____

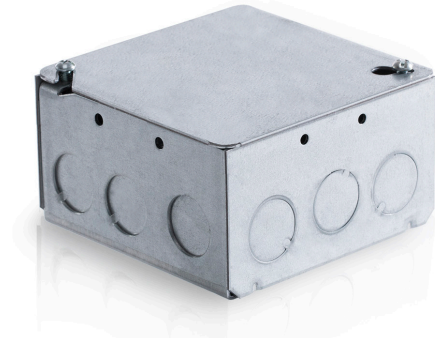
MODA Contact: _____ E-Mail: _____

Type: _____ PO#: _____ Quantity: _____

Notes: _____

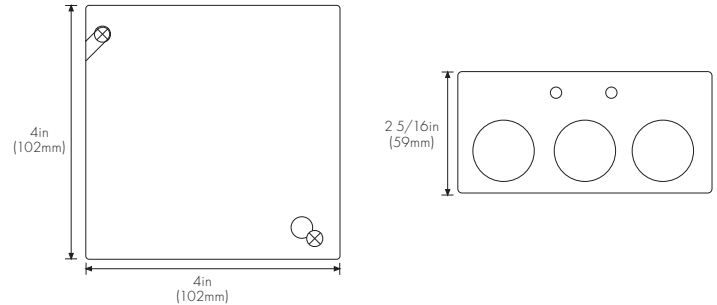
DMX WIRING HUB 2.0

MODA DMX Wiring Hub 2.0 makes wiring any DMX512 project simple, easy and fast. Encased in a standard North American 4" x 4" x 2" electrical junction box, this device takes care of all of your wiring needs. It accepts line voltage of 100-277V AC 50/60Hz and DMX data wires. It rapidly connects with standard wire nuts and protects the installation from accidentally wiring line voltage to data and has a built in high surge protection. It also boosts the DMX512 signal back to its original strength, ensuring the project is clean and the data corruption is kept to a minimum. It is recommended to use this junction box at every DMX splice or DMX connection. Designed & Developed by MODA LIGHT in Las Vegas, USA



SPECIFICATIONS

Dimensions	W: 4in (102mm)
	H: 4in (102mm)
	D: 2 5/16in (59mm)
Weight	2 1/2lbs (1,134g)
Construction Material	Steel
Storage Temperature	-13°F ~ 158°F (-25°C ~ 70°C)
Operating Temp Range	-4°F ~ 149°F (-20°C ~ +65°C)
Ingress Protection	Dry Location - IP20



DIMMING INTERFACE

Standard	USITT DMX512-A RDM
Maximum Data Rate	15 Mbps
Maximum Load	128 transceivers on the bus
Maximum Series	10 Grade
ESD Protection	15KV, Air Gap Discharge IEC61000-4-2 15VK, Human Body Model
Surge Protection	Input/Output, D+ <-> D- 0.5KV
Over Voltage Protection	Differential Mode: 24V Common Mode: 24V

INPUT

Input Voltage	100 - 277V AC 50/60 Hz
Input Frequency	47 - 63Hz
Input Current	12mA @ 120V AC/60Hz 9mA @ 230V AC/50Hz 8A @ 277V AC/60Hz
Input Power	0.7W @ 120V AC/60Hz 0.75W @ 230V AC/50Hz 0.8W @ 277V AC/60Hz
Standby Consumpion	0.61W @ 120V AC/60Hz 0.7W @ 230V AC/50Hz 0.76W @ 277V AC/60Hz

ORDERING SKU: 250-0100

STANDARDS & CERTIFICATIONS



Certification	CE, RoHS, & WEEE Compliant
Warranty	5 Year Limited Warranty